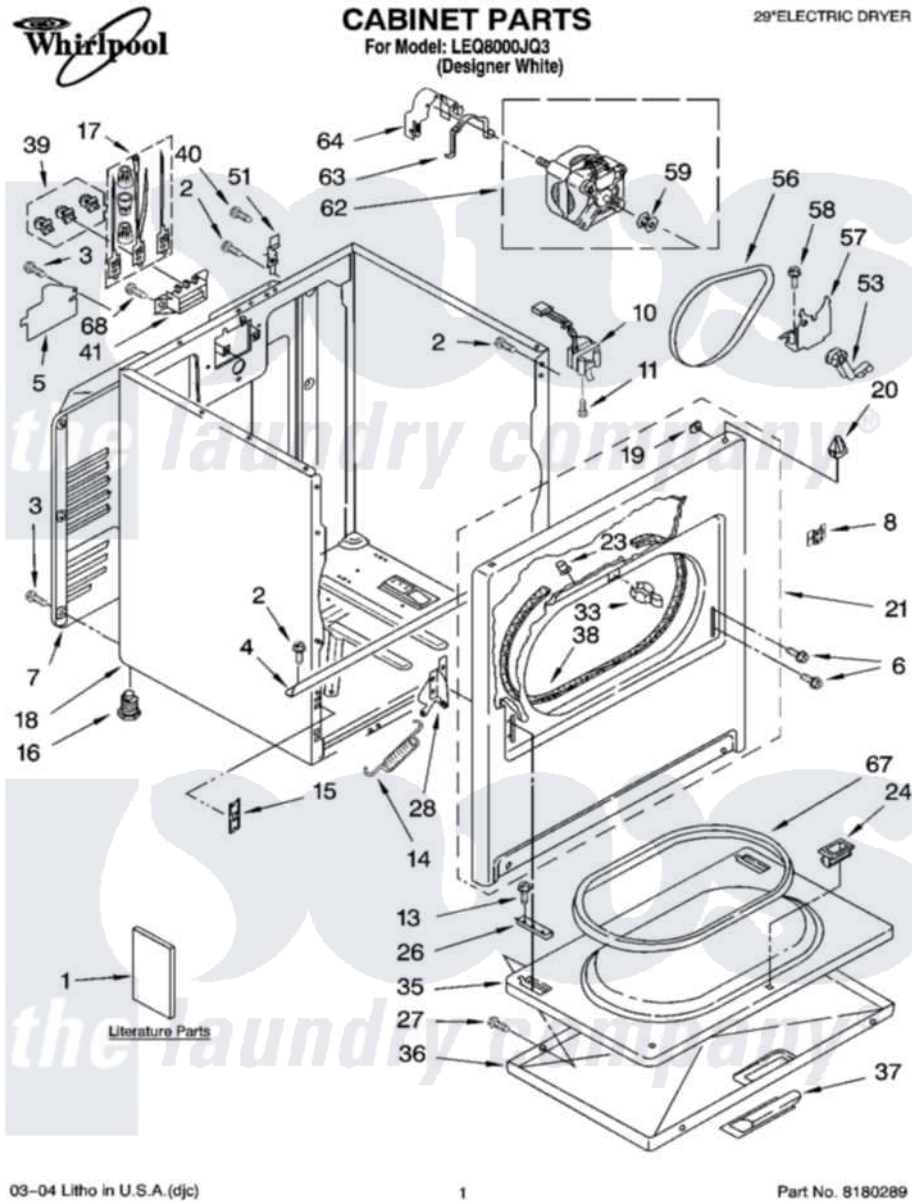


Whirlpool LEQ8000JQ3 01 - CABINET PARTS



03-04 Litho in U.S.A. (djc)

1

Part No. 8180289

Whirlpool [Residential Whirlpool LEQ8000JQ3 Dryer Parts](#) Parts Diagram 01 - CABINET PARTS

[Click on the part number to view part](#)

Item	Original Part Number	Replaced By	Status	Part Description
1	LIT8535829		Not Available	Literature Parts (Instructions, Installation)
"	LIT8535895		Not Available	Literature Parts (Sheet, Cycle Feature)
"	LIT8535897		Not Available	Literature Parts (Use & Care Guide)
"	LIT3406661		Not Available	Literature Parts (Wiring Diagram)
"	N/A		Not Available	Following May Be Purchased DO-IT-YOURSELF REPAIR MANUALS
"	LIT677818	677818L		Diy
2	343641	681414		Screw, 10AB X 1/2
3	693995			Screw, Hex Head
4	8541400			Bracket, Cabinet
5	3396795			Cover, Terminal Block
6	342043	486146		Screw
7	3396805	280043		Panel-Rear
8	8546676	W10041960		Spring, Door

10	3406107		Door Switch Assembly
11	697773	3395530	Screw
13	3357011	308685	Side Trim)
14	8541401	W10041960	Spring, Door
15	3394083		Clip, Front Panel
16	3392100	49621	Feet-Leveling
"	279810		Foot-Optional
17	279318		Terminal Tinned And Brass Panel
18	8530603	8533643	Cabinet
19	98234		Clip, U-Bend
20	690363	18776	Lock, Front Top
21	695620	279443	Panel
23	685203	279220	Clip
24	3389441		Door Catch Assembly
26	337189		Clip, Hinge
27	694091		Trim, Side Right Hand
28	8066056		Hinge, Door
"	8066057		Hinge, Door
33	696144	279570	Latch
35	695737		Door, Rear
36	3393549		Door, Front
37	690270	348721	Handle
38	3406129		Seal And Bearing Assembly
39	279393		Terminal Block Screw Kit
40	697776	4331106	Screw, No.10-32 X 7/16
41	3397659		Block, Terminal
51	238088	8066217	Hinge, Top
53	691366		Idler And Pulley Assembly
56	8066065	341241	Belt
57	348780		Base, Motor
58	3400500		Bolt, 3405245 5/16-18 X 3/4
59	3394341	W10299847	Pulley-Motor
62	8538262	279827	Motor-Drve
63	660658		Clamp, Motor Mounting 343481 685441
64	3404162		Clamp, Motor
67	3390731		Seal, Door
68	3393008	308685	Side Trim)