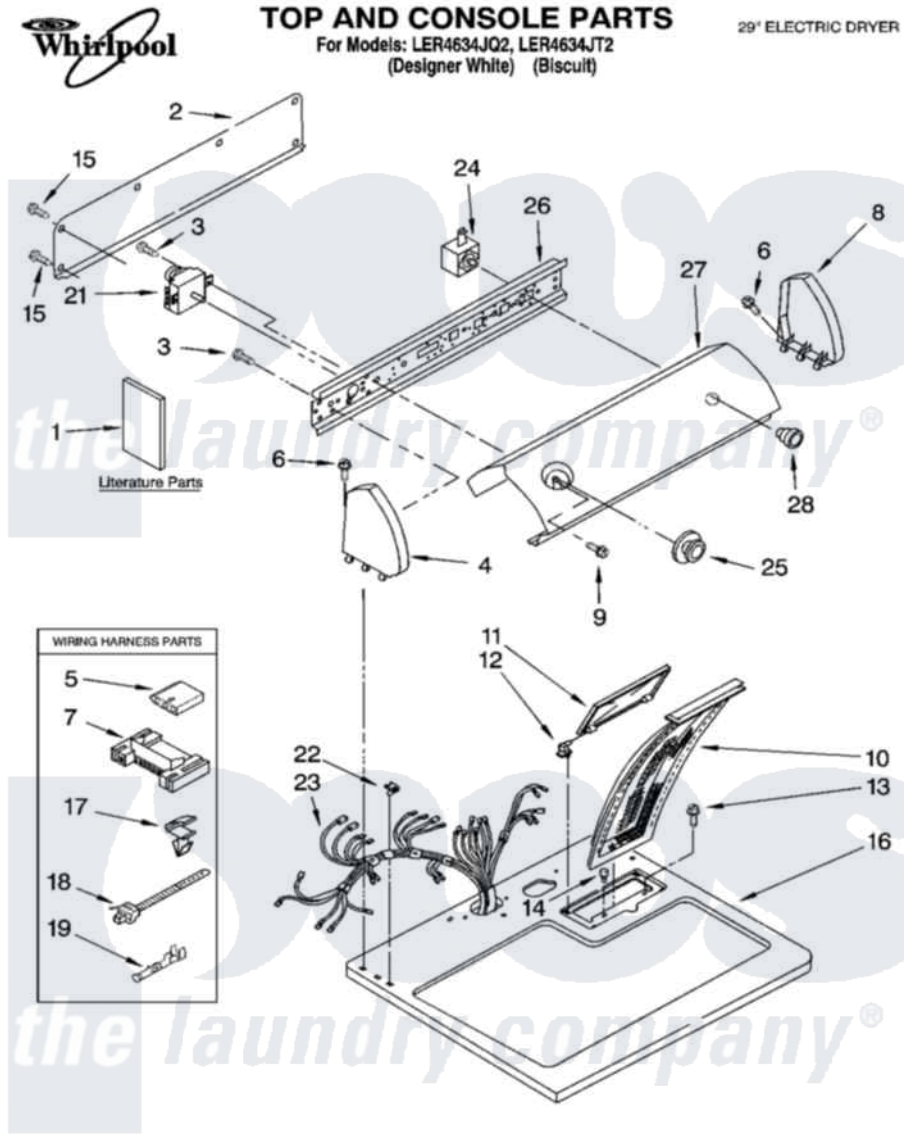


# Whirlpool LER4634JT2 01 - TOP AND CONSOLE PARTS



03-04 Litho in U.S.A. (djc)

1

Part No. 8180297

Whirlpool Residential Whirlpool LER4634JT2 Dryer Parts Parts Diagram 01 - TOP AND CONSOLE PARTS  
Click on the part number to view part

| Item | Original Part Number    | Replaced By               | Status        | Part Description   |
|------|-------------------------|---------------------------|---------------|--|
| 1    | LIT8522243              |                           | Not Available | Literature Parts (Guide, Use & Care)                           |
| "    | LIT8522245              |                           | Not Available | Literature Parts (Sheet, Cycle Feature (For Model LEQ5000KQ1)) |
| "    | LIT8535829              |                           | Not Available | Literature Parts (Instructions, Installation)                  |
| "    | LIT8528187              |                           | Not Available | Literature Parts (Wiring Diagram)                              |
| "    | N/A                     |                           | Not Available | Following May Be Purchased                                     |
| "    | N/A                     |                           | Not Available | DO-IT-YOURSELF REPAIR MANUALS                                  |
| "    | LIT677818               | <a href="#">677818L</a>   |               | Diy  |
| 2    | <a href="#">8274261</a> |                           |               | Do-It-Yourself Repair Manuals                                  |
| 3    | 3390646                 | <a href="#">W10139210</a> |               | Screw, 8-18 X 5/16   |
| 4    | 8271365                 | <a href="#">279962</a>    |               | Endcap   |
| "    | 8271368                 | <a href="#">279965</a>    |               | Endcap   |
| 5    | <a href="#">3936144</a> |                           |               | Do-It-Yourself Repair Manuals                                  |
| 6    | <a href="#">388326</a>  |                           |               | Screw, 8-18 X 1.25   |

|    |                         |                           |                                   |
|----|-------------------------|---------------------------|-----------------------------------|
| 7  | <a href="#">3395683</a> |                           | Receptacle, Multi-Terminal        |
| 8  | 8271359                 | <a href="#">279962</a>    | Endcap                            |
| "  | 8271362                 | <a href="#">279965</a>    | Endcap                            |
| 9  | <a href="#">3400859</a> |                           | Screw, Grounding                  |
| 10 | <a href="#">339392</a>  |                           | Screen, Lint                      |
| 11 | <a href="#">8283378</a> |                           | Cover, Lint Screen                |
| "  | <a href="#">8283380</a> |                           | Cover, Lint Screen                |
| 12 | 3978605                 | <a href="#">W10044470</a> | Hinge, RH                         |
| "  | <a href="#">3978606</a> |                           | Hinge, Lint Lid                   |
| 13 | 688983                  | <a href="#">487240</a>    | Screw, For Mtg. Service Capacitor |
| 14 | 297535                  | <a href="#">17258</a>     | Bumper                            |
| 15 | <a href="#">693995</a>  |                           | Screw, Hex Head                   |
| 16 | 8271390                 | <a href="#">8521918</a>   | Top                               |
| "  | 8271392                 | <a href="#">8521920</a>   | Top                               |
| 17 | <a href="#">3394427</a> |                           | Clip-Harness                      |
| 18 | <a href="#">3391249</a> |                           | Cable Tie, Push Mount             |
| 19 | <a href="#">94614</a>   |                           | Terminal                          |
| 21 | <a href="#">8299778</a> |                           | Timer, 60 Hz                      |
| 22 | <a href="#">357213</a>  |                           | Nut, Push-In                      |
| 23 | 8299867                 | <a href="#">W10450292</a> | Harness, Wiring                   |
| 24 | <a href="#">3977456</a> |                           | Switch, Push-To-Start             |
| 25 | 8312687                 | <a href="#">3957754</a>   | Timer Knob Assembly               |
| "  | 8271404                 | <a href="#">3957755</a>   | Timer Knob Assembly               |
| 26 | <a href="#">8271418</a> |                           | Bracket, Control                  |
| 27 | <a href="#">3977815</a> |                           | Panel, Control                    |
| "  | <a href="#">3977816</a> |                           | Panel, Control                    |
| 28 | 8271341                 | <a href="#">3957804</a>   | Knob, Push-To-Start               |
| "  | 8271349                 | Not Available             | Knob, Push To Start (Biscuit)     |
| "  | N/A                     | Not Available             | ACCESSORY PARTS                   |
| "  | 279948                  | <a href="#">4392065</a>   | Kit, Dryer Repair                 |
| "  | <a href="#">8522199</a> |                           | Accessory Parts                   |
| "  | <a href="#">689790</a>  |                           | Dry Rack                          |
| "  | <a href="#">72017</a>   |                           | Paint, Touch-Up                   |
| "  | <a href="#">4392899</a> |                           | Paint, Touch-Up                   |
| "  | <a href="#">350930</a>  |                           | Paint, Pressurized Spray B        |
| "  | <a href="#">4392901</a> |                           | Paint, Pressurized Spray          |
| "  | <a href="#">350938</a>  |                           | Paint, Pressurized Spray B        |
| "  | <a href="#">799344</a>  |                           | Paint, Touch-Up )                 |
| "  | <a href="#">4392900</a> |                           | Paint, Bulk )                     |

*the laundry company*<sup>®</sup>