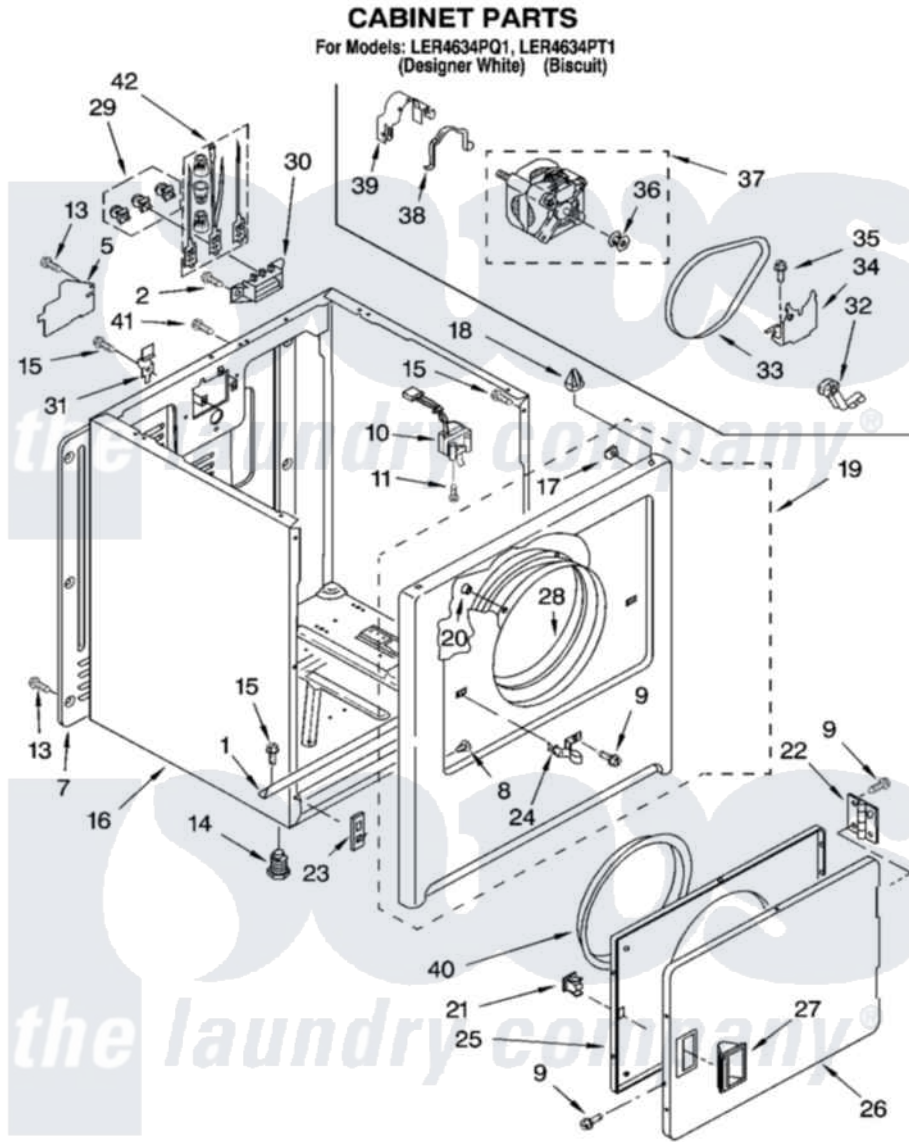


Whirlpool LER4634PT1 02 - CABINET PARTS



8180856

3

Whirlpool [Residential Whirlpool LER4634PT1 Dryer Parts](#) Parts Diagram 02 - CABINET PARTS
Click on the part number to view part

Item	Original Part Number	Replaced By	Status	Part Description
1	8541400			Bracket, Cabinet
2	3393008	308685		Side Trim)
5	3396795			Cover, Terminal Block
7	3396807	280040		Panel-Rear
8	3404413			Plug, Hinge Hole
"	3404415			Plug, Hinge Hole
9	342055	488627		Screw
10	3406104	3406105		Door Switch Assembly
11	697773	3395530		Screw
13	693995			Screw, Hex Head
14	3392100	49621		Feet-Leveling
"	279810			Foot-Optional
15	343641	681414		Screw, 10AB X 1/2
16	8530603	8533643		Cabinet
"	8530606	3977306		Cabinet
17	98234			Clip, U-Bend

18	690363	18776	Lock, Front Top
19	3403571	279844	Panel
"	3403576	279931	Panel
20	685203	279220	Clip
21	690081	279570	Latch
22	3405514	W10362431	Hinge And Pin Assembly
23	3394083		Clip, Front Panel
24	696144	279570	Latch
25	3403371		Door, Inner
26	3403361		Door Front
"	3403363		Door, Front
27	3405184		Handle, Door
"	3405189		Handle, Door
28	8066124	279264	Air Channel Box
29	279393		Terminal Block Screw Kit
30	3397659		Block, Terminal
31	238088	8066217	Hinge, Top
32	691366		Idler And Pulley Assembly
33	8066065	341241	Belt
34	348780		Base, Motor
35	3400500		Bolt, 3405245 5/16-18 X 3/4
36	3394341	W10299847	Pulley-Motor
37	8066206	279827	Motor-Drve
38	660658		Clamp, Motor Mounting 343481 685441
39	3404162		Clamp, Motor
40	3405245		5/16-18 X 3/4
41	697776	4331106	Screw, No.10-32 X 7/16
42	279318		Terminal Tinned And Brass Panel

