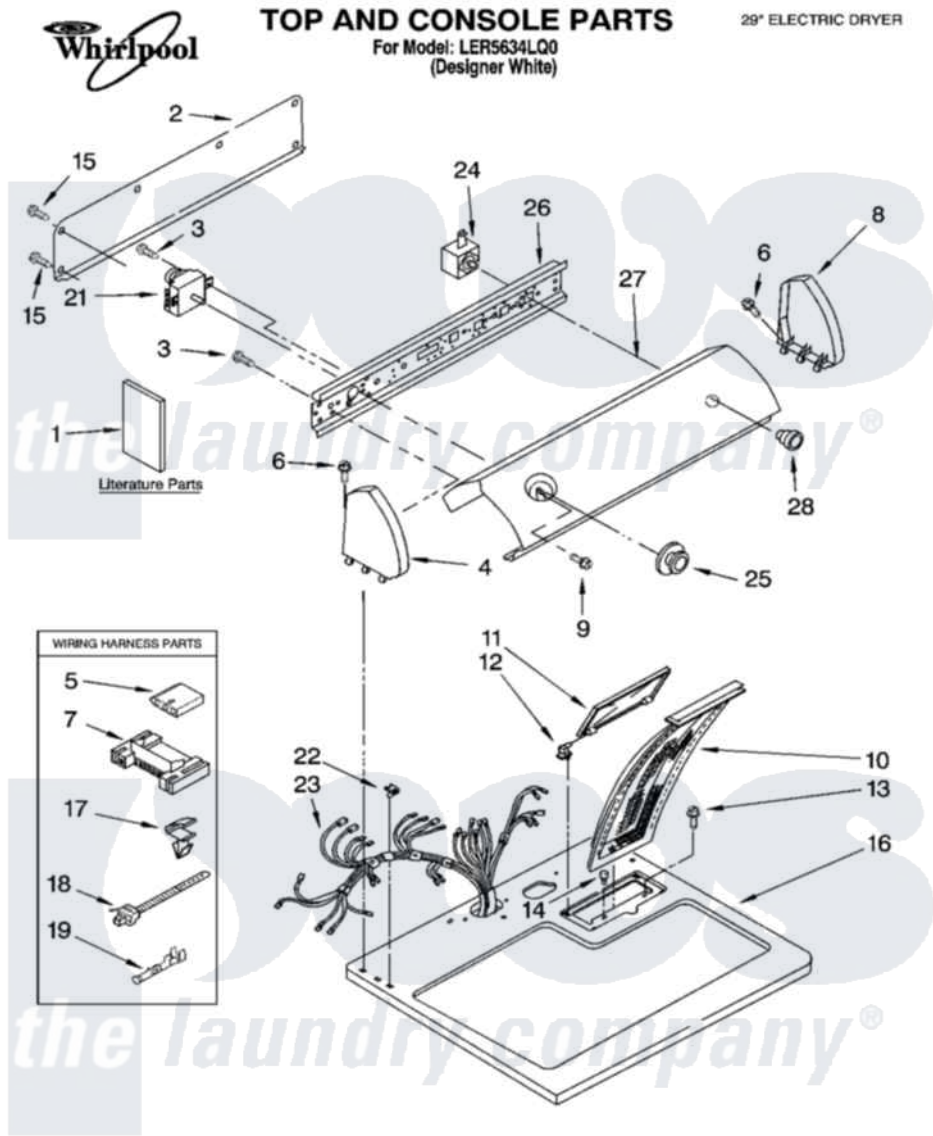


# Whirlpool LER5634LQ0 01 - TOP AND CONSOLE PARTS



3-02 Litho in U.S.A. (djc)

1

Part No. 8179634

Whirlpool Residential Whirlpool LER5634LQ0 Dryer Parts Parts Diagram 01 - TOP AND CONSOLE PARTS  
 Click on the part number to view part

Item	Original Part Number	Replaced By	Status	Part Description
1	LIT8528324		Not Available	Literature Parts (Use & Care Guide)
"	LIT3397618		Not Available	Literature Parts (Instructions, Installation)
"	LIT8528187		Not Available	Literature Parts (Wiring Diagram)
"	BLANK		Not Available	Following May Be Purchased DO-IT-YOURSELF REPAIR MANUALS
"	LIT677818	<a href="#">677818L</a>		Diy
2	<a href="#">8274261</a>			Do-It-Yourself Repair Manuals
3	3390646	<a href="#">W10139210</a>		Screw, 8-18 X 5/16
4	8271365	<a href="#">279962</a>		Endcap
5	<a href="#">3936144</a>			Do-It-Yourself Repair Manuals
6	<a href="#">388326</a>			Screw, 8-18 X 1.25
7	<a href="#">3395683</a>			Receptacle, Multi-Terminal
8	8271359	<a href="#">279962</a>		Endcap
9	<a href="#">3400859</a>			Screw, Grounding

10	<a href="#">339392</a>		Screen, Lint
11	<a href="#">8283378</a>		Cover, Lint Screen
12	3978605	<a href="#">W10044470</a>	Hinge, RH
"	<a href="#">3978606</a>		Hinge, Lint Lid
13	688983	<a href="#">487240</a>	Screw, For Mtg. Service Capacitor
14	297535	<a href="#">17258</a>	Bumper
15	<a href="#">693995</a>		Screw, Hex Head
16	8271390	<a href="#">8521918</a>	Top
17	<a href="#">3394427</a>		Clip-Harness
18	<a href="#">3391249</a>		Cable Tie, Push Mount
19	<a href="#">94614</a>		Terminal
21	<a href="#">8299778</a>		Timer, 60 Hz
22	<a href="#">357213</a>		Nut, Push-In
23	8299867	<a href="#">W10450292</a>	Harness, Wiring
24	<a href="#">3977456</a>		Switch, Push-To-Start
25	8312687	<a href="#">3957754</a>	Timer Knob Assembly
26	<a href="#">8271418</a>		Bracket, Control
27	<a href="#">8532602</a>		Panel, Control
28	8271341	<a href="#">3957804</a>	Knob, Push-To-Start

