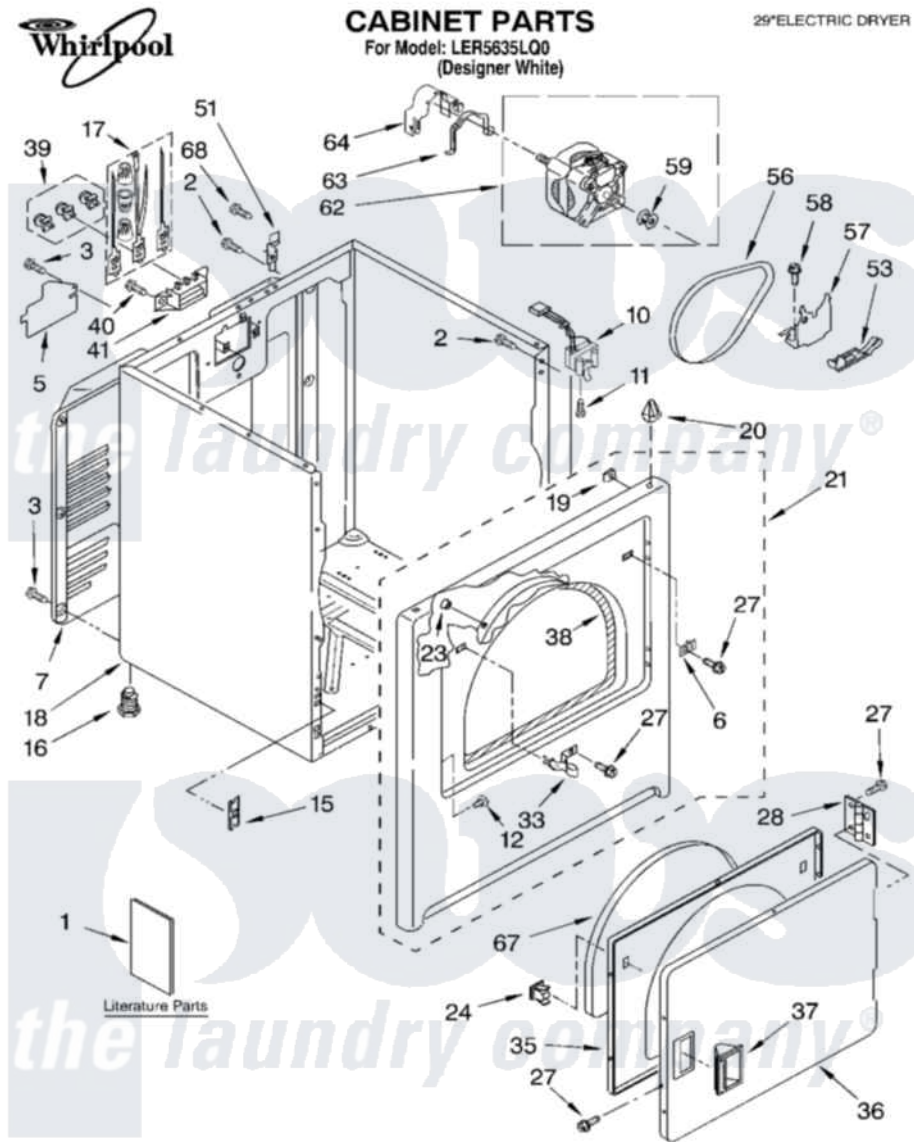


Whirlpool LER5635LQ0 01 - CABINET PARTS



03-03 Litho in U.S.A. (dlc)

1

Part No. 8180020

Whirlpool [Residential Whirlpool LER5635LQ0 Dryer Parts](#) Parts Diagram 01 - CABINET PARTS

[Click on the part number to view part](#)

Item	Original Part Number	Replaced By	Status	Part Description
1	LIT8535829		Not Available	Literature Parts (Instructions, Installation)
"	LIT8522245		Not Available	Literature Parts (Sheet, Cycle Feature (For Model LEQ5000KQ1))
"	LIT8522243		Not Available	Literature Parts (Guide, Use & Care)
"	LIT8528187		Not Available	Literature Parts (Wiring Diagram)
"	N/A		Not Available	Following May Be Purchased
"	N/A		Not Available	DO-IT-YOURSELF REPAIR MANUALS
"	LIT677818	677818L		Diy
2	343641	681414		Screw, 10AB X 1/2
3	693995			Screw, Hex Head
5	3396795			Cover, Terminal Block
6	3403630			Plug, Strike Hole
7	3396805	280043		Panel-Rear
10	3406107			Door Switch Assembly

11	697773	3395530	Screw
12	3404413		Plug, Hinge Hole
15	3394083		Clip, Front Panel
16	3392100	49621	Feet-Leveling
"	279810		Foot-Optional
17	279318		Terminal Tinned And Brass Panel
18	8530603	8533643	Cabinet
19	98234		Clip, U-Bend
20	690363	18776	Lock, Front Top
21	3403444	279852	Panel
23	685203	279220	Clip
24	690081	279570	Latch
27	342055	488627	Screw
28	3405514	W10362431	Hinge And Pin Assembly
33	3403431		Strike, Panel
35	3402341		Door, Inner
36	3402335		Door, Front
37	3405184		Handle, Door
38	3406129		Seal And Bearing Assembly
39	279393		Terminal Block Screw Kit
40	3393008	308685	Side Trim)
41	3397659		Block, Terminal
51	238088	8066217	Hinge, Top
53	3394332	691366	Idler And Pulley Assembly
56	8066065	341241	Belt
57	348780		Base, Motor
58	3400500		Bolt, 3405245 5/16-18 X 3/4
59	3394341	W10299847	Pulley-Motor
62	8538262	279827	Motor-Drive
63	660658		Clamp, Motor Mounting 343481 685441
64	3404162		Clamp, Motor
67	3405246		Seal, Door Push-To-Start
68	697776	4331106	Screw, No.10-32 X 7/16

