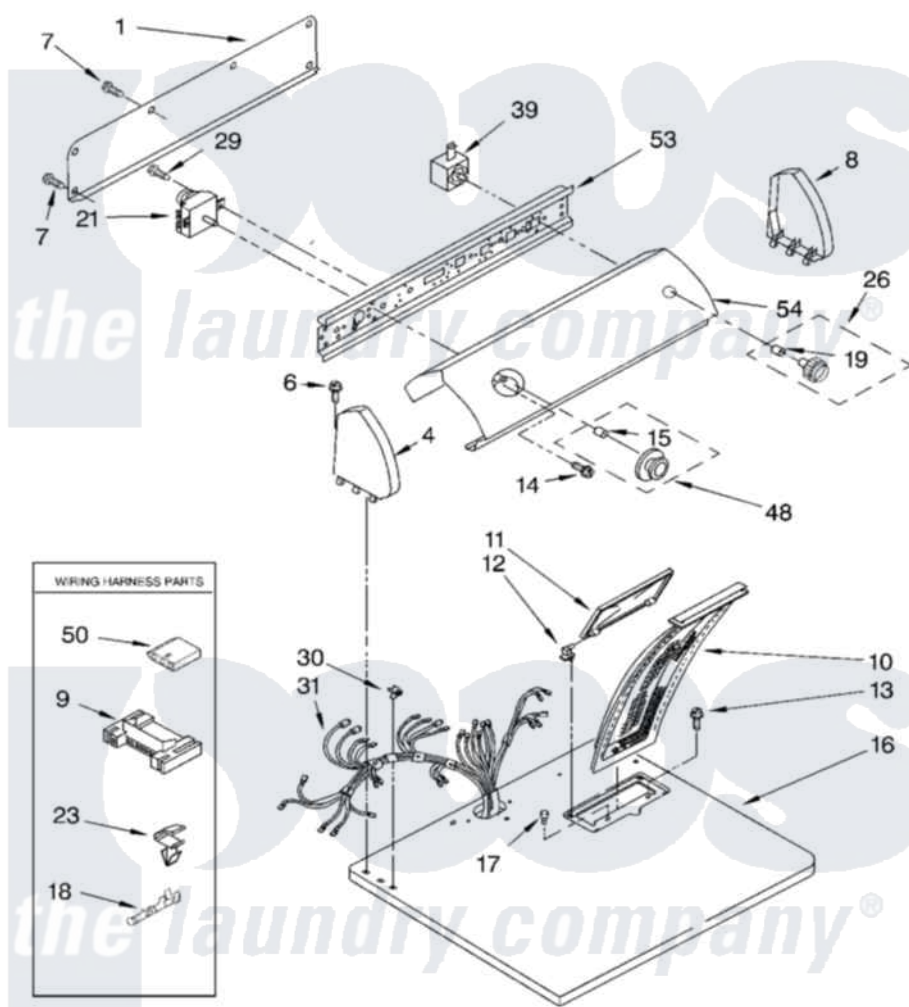


Whirlpool LER5635LQ0 02 - TOP AND CONSOLE PARTS

TOP AND CONSOLE PARTS

For Model: LER5635LQ0
(Designer White)



8180020

3

Whirlpool Residential Whirlpool LER5635LQ0 Dryer Parts Parts Diagram 02 - TOP AND CONSOLE PARTS

[Click on the part number to view part](#)

| Item | Original Part Number | Replaced By | Status | Part Description |
|------|-------------------------|---------------------------|--------|-----------------------------------|
| 1 | 8274261 | | | Do-It-Yourself Repair Manuals |
| 4 | 8271365 | 279962 | | Endcap |
| 6 | 388326 | | | Screw, 8-18 X 1.25 |
| 7 | 693995 | | | Screw, Hex Head |
| 8 | 8271359 | 279962 | | Endcap |
| 9 | 3395683 | | | Receptacle, Multi-Terminal |
| 10 | 349639 | | | HANdle And Lint Screen Assembly |
| 11 | 8283378 | | | Cover, Lint Screen |
| 12 | 3978605 | W10044470 | | Hinge, RH |
| " | 3978606 | | | Hinge, Lint Lid |
| 13 | 688983 | 487240 | | Screw, For Mtg. Service Capacitor |
| 14 | 3400859 | | | Screw, Grounding |
| 15 | 688805 | | | Clip, Spring Knob |
| 16 | 8271390 | 8521918 | | Top |
| 17 | 297535 | 17258 | | Bumper |

| | | | |
|----|-------------------------|---------------------------|-------------------------------|
| 18 | 94614 | | Terminal |
| 19 | 8536939 | | Clip, Knob |
| 21 | 8299778 | | Timer, 60 Hz |
| 23 | 3394427 | | Clip-Harness |
| 26 | 8271341 | 3957804 | Knob, Push-To-Start |
| 29 | 3390646 | W10139210 | Screw, 8-18 X 5/16 |
| 30 | 357213 | | Nut, Push-In |
| 31 | 8299867 | W10450292 | Harness, Wiring |
| 39 | 3977456 | | Switch, Push-To-Start |
| 48 | 8312687 | 3957754 | Timer Knob Assembly |
| 50 | 3936144 | | Do-It-Yourself Repair Manuals |
| 53 | 8271418 | | Bracket, Control |
| 54 | 8532646 | | Panel, Control |
| " | N/A | Not Available | ACCESSORY PARTS |
| " | 279948 | 4392065 | Kit, Dryer Repair |
| " | 3404351 | | Accessory Parts |
| " | 8522199 | | Accessory Parts |
| " | 72017 | | Paint, Touch-Up |
| " | 350930 | | Paint, Pressurized Spray B |
| " | 350938 | | Paint, Pressurized Spray B |
| " | 799344 | | Paint, Touch-Up) |

