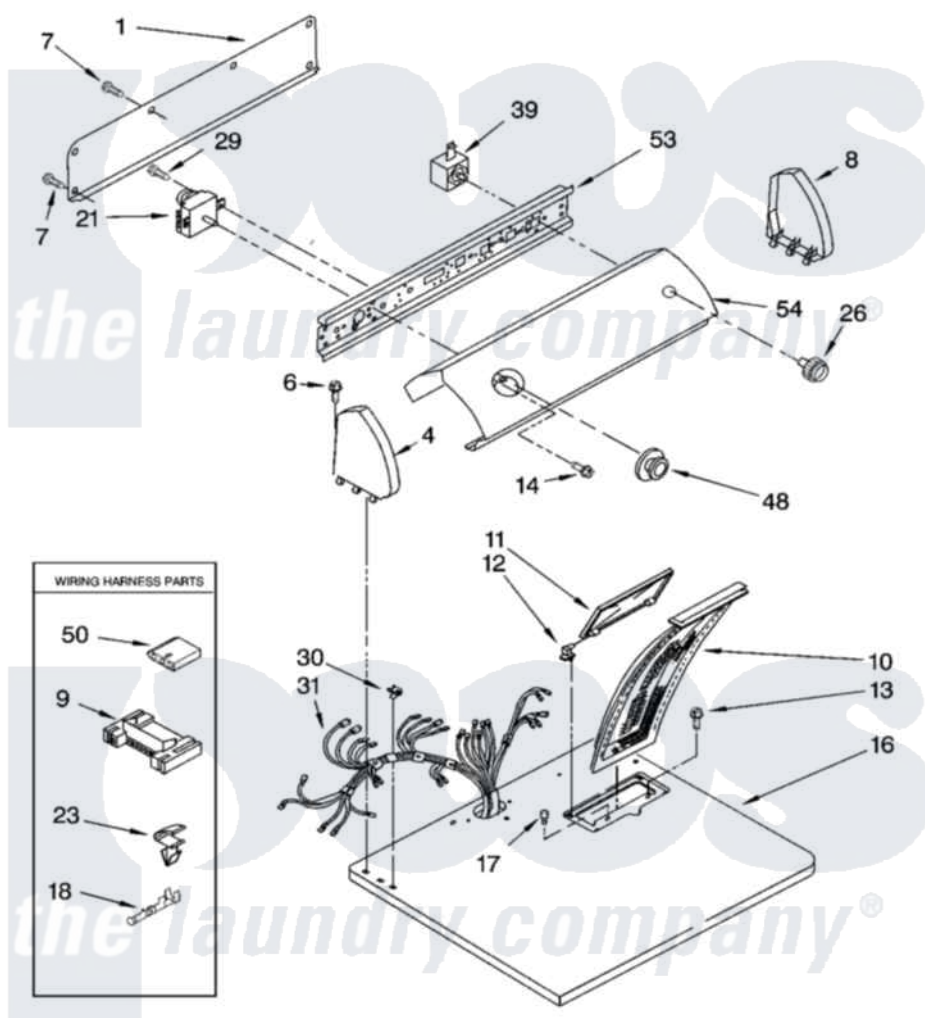


# Whirlpool LER5635LQ1 02 - TOP AND CONSOLE PARTS

## TOP AND CONSOLE PARTS

For Model: LER5635LQ1  
(Designer White)



8180219

3

Whirlpool Residential Whirlpool LER5635LQ1 Dryer Parts Parts Diagram 02 - TOP AND CONSOLE PARTS

[Click on the part number to view part](#)

Item	Original Part Number	Replaced By	Status	Part Description
1	<a href="#">8274261</a>			Do-It-Yourself Repair Manuals
4	8271365	<a href="#">279962</a>		Endcap
6	<a href="#">388326</a>			Screw, 8-18 X 1.25
7	<a href="#">693995</a>			Screw, Hex Head
8	8271359	<a href="#">279962</a>		Endcap
9	<a href="#">3395683</a>			Receptacle, Multi-Terminal
10	<a href="#">349639</a>			HANdle And Lint Screen Assembly
11	<a href="#">8283378</a>			Cover, Lint Screen
12	3978605	<a href="#">W10044470</a>		Hinge, RH
"	<a href="#">3978606</a>			Hinge, Lint Lid
13	688983	<a href="#">487240</a>		Screw, For Mtg. Service Capacitor
14	<a href="#">3400859</a>			Screw, Grounding
16	8271390	<a href="#">8521918</a>		Top
17	297535	<a href="#">17258</a>		Bumper
18	<a href="#">94614</a>			Terminal

21	<a href="#">8299778</a>		Timer, 60 Hz
23	<a href="#">3394427</a>		Clip-Harness
26	8271341	<a href="#">3957804</a>	Knob, Push-To-Start
29	3390646	<a href="#">W10139210</a>	Screw, 8-18 X 5/16
30	<a href="#">357213</a>		Nut, Push-In
31	8299867	<a href="#">W10450292</a>	Harness, Wiring
39	<a href="#">3977456</a>		Switch, Push-To-Start
48	8312687	<a href="#">3957754</a>	Timer Knob Assembly
50	<a href="#">3936144</a>		Do-It-Yourself Repair Manuals
53	<a href="#">8271418</a>		Bracket, Control
54	<a href="#">8532646</a>		Panel, Control
"	N/A	Not Available	ACCESSORY PARTS
"	279948	<a href="#">4392065</a>	Kit, Dryer Repair
"	<a href="#">3404351</a>		Accessory Parts
"	<a href="#">8522199</a>		Accessory Parts
"	<a href="#">72017</a>		Paint, Touch-Up
"	<a href="#">350930</a>		Paint, Pressurized Spray B
"	<a href="#">350938</a>		Paint, Pressurized Spray B
"	<a href="#">799344</a>		Paint, Touch-Up )

