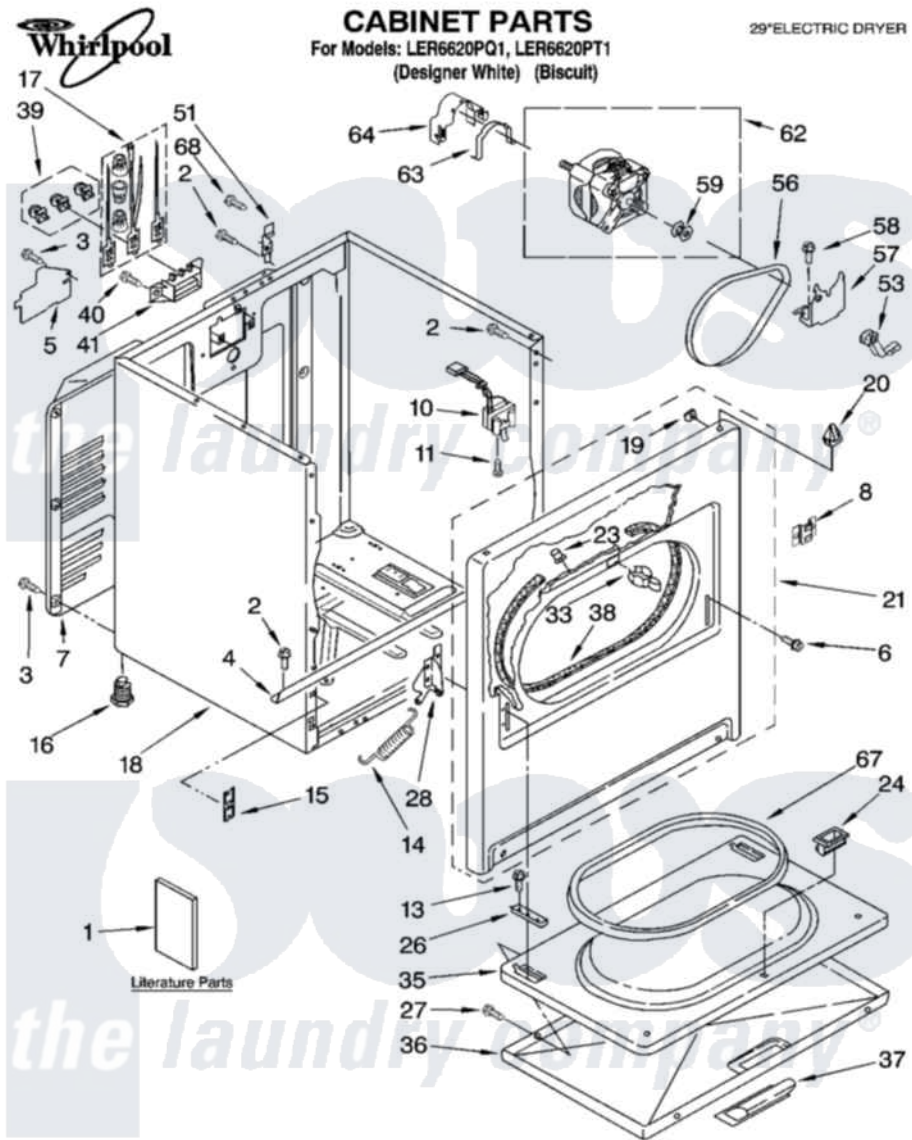


Whirlpool LER6620PT1 01 - CABINET PARTS



10-05 Litho in U.S.A.(LT)

1

Part No. 8180878

Whirlpool [Residential Whirlpool LER6620PT1 Dryer Parts](#) Parts Diagram 01 - CABINET PARTS

[Click on the part number to view part](#)

Item	Original Part Number	Replaced By	Status	Part Description
1	8577188		Not Available	Instructions, Installation
"	8578183		Not Available	Use And Care Guide
"	8533770		Not Available	Sheet, Cycle Feature
"	8528187			Wiring Diagram
"	N/A		Not Available	Following May Be Purchased
"	N/A		Not Available	DO-IT-YOURSELF REPAIR MANUALS
"	677818		Not Available	Manual, Do-It- Yourself Repair (Dryer)
2	343641	681414		Screw, 10AB X 1/2
3	693995			Screw, Hex Head
4	8541400			Bracket, Cabinet
5	3396795			Cover, Terminal Block
6	342043	486146		Screw
7	3396805	280043		Panel-Rear
8	8546676	W10041960		Spring, Door
10	3406109	3406107		Door Switch Assembly

11	697773	3395530	Screw
13	3357011	308685	Side Trim)
14	8541401	W10041960	Spring, Door
15	3394083		Clip, Front Panel
16	3392100	49621	Feet-Leveling
"	279810		Foot-Optional
17	279318		Terminal Tinned And Brass Panel
18	8530603	8533643	Cabinet
"	8530606	3977306	Cabinet
19	98234		Clip, U-Bend
20	690363	18776	Lock, Front Top
21	695620	279443	Panel
"	3977244	279891	Panel
23	685203	279220	Clip
24	3389441		Door Catch Assembly
26	337189		Clip, Hinge
27	694091		Trim, Side Right Hand
28	8066056		Hinge, Door
"	8066057		Hinge, Door
33	696144	279570	Latch
35	695737		Door, Rear
36	3393549		Door, Front
"	3977241		Door, Front
37	690270	348721	Handle
"	3977242		Handle, Door
38	3406129		Seal And Bearing Assembly
39	279393		Terminal Block Screw Kit
40	3393008	308685	Side Trim)
41	3397659		Block, Terminal
51	238088	8066217	Hinge, Top
53	691366		Idler And Pulley Assembly
56	8066065	341241	Belt
57	348780		Base, Motor
58	3400500		Bolt, 3405245 5/16-18 X 3/4
59	3394341	W10299847	Pulley-Motor
62	8066206	279827	Motor-Drve
63	660658		Clamp, Motor Mounting 343481 685441
64	3404162		Clamp, Motor
67	3390731		Seal, Door
68	697776	4331106	Screw, No.10-32 X 7/16