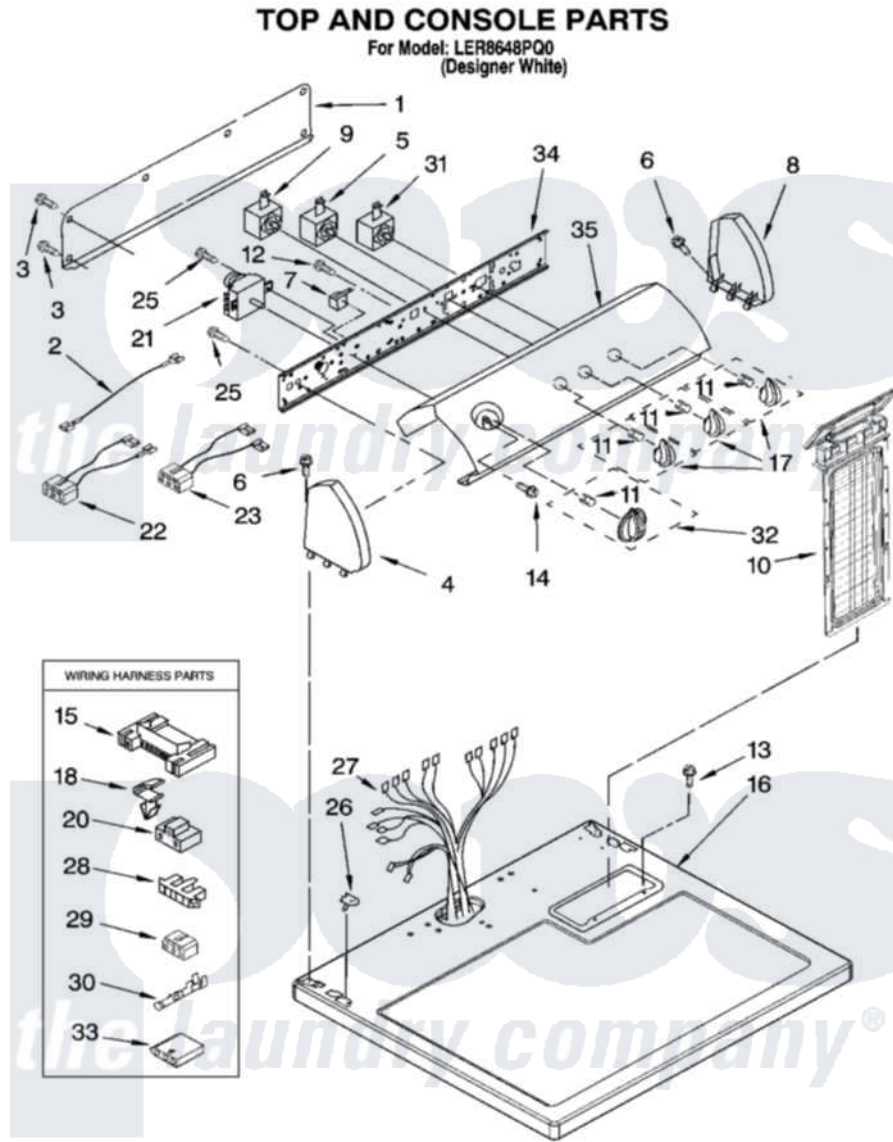


# Whirlpool LER8648PQ0 02 - TOP AND CONSOLE PARTS



8180583

3

Whirlpool [Residential Whirlpool LER8648PQ0 Dryer Parts](#) Parts Diagram 02 - TOP AND CONSOLE PARTS  
Click on the part number to view part

Item	Original Part Number	Replaced By	Status	Part Description
1	<a href="#">8274261</a>			Do-It-Yourself Repair Manuals
2	<a href="#">3401684</a>			Jumper, Wire
3	<a href="#">693995</a>			Screw, Hex Head
4	8271365	<a href="#">279962</a>		Endcap
5	<a href="#">3405156</a>			Switch, Rotary
6	<a href="#">388326</a>			Screw, 8-18 X 1.25
7	<a href="#">694419</a>			Mini-Buzzer
8	8271359	<a href="#">279962</a>		Endcap
9	<a href="#">3399639</a>			Switch, Rotary Temperature
10	<a href="#">8557857</a>			Screen, Lint
11	<a href="#">8536939</a>			Clip, Knob
12	8533971	<a href="#">90767</a>		Screw, 8A X 3/8 HeX Washer Head Tapping
13	688983	<a href="#">487240</a>		Screw, For Mtg. Service Capacitor
14	8533951	<a href="#">3400859</a>		Screw, Grounding
15	<a href="#">3395683</a>			Receptacle, Multi-Terminal

16	<a href="#">8557930</a>	<a href="#">8563985</a>	Top
17	<a href="#">8544935</a>		Knob, Control
18	<a href="#">3394427</a>		Clip-Harness
20	<a href="#">3401144</a>		Connector
21	<a href="#">3979618</a>		Timer Assembly
22	<a href="#">3397695</a>		Wire, Jumper
23	3396029	<a href="#">8539893</a>	Wire, Jumper
25	3390646	<a href="#">W10139210</a>	Screw, 8-18 X 5/16
26	<a href="#">357213</a>		Nut, Push-In
27	8299873	<a href="#">8576503</a>	Harness, Wiring
28	<a href="#">3397269</a>		Connector, Timer
29	<a href="#">3347243</a>		Block, Disconnect
30	<a href="#">94614</a>		Terminal
31	<a href="#">3398095</a>		Switch, Push-To-Start
32	<a href="#">8544955</a>		Timer Knob Assembly
33	<a href="#">3936144</a>		Do-It-Yourself Repair Manuals
34	<a href="#">8271418</a>		Bracket, Control
35	<a href="#">8557482</a>		Panel, Control

