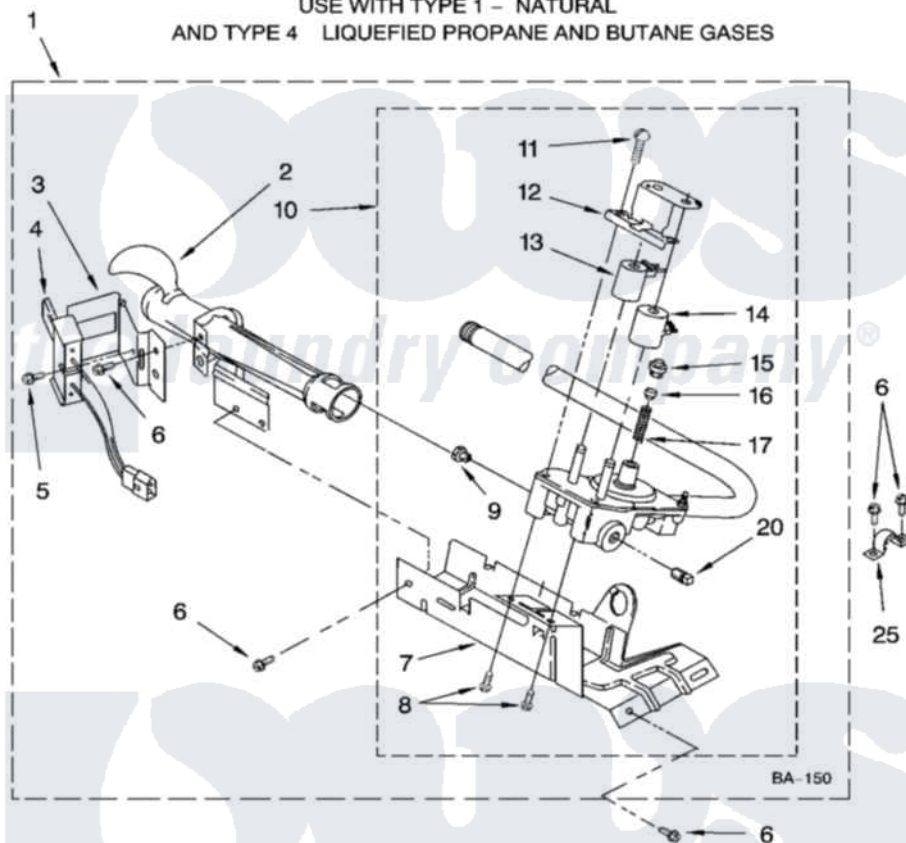


Whirlpool LGN2000LW1 04 - 8318272 BURNER ASSEMBLY

8318272 BURNER ASSEMBLY

For Models: LGN2000LW1, LGN2000LG1
(White/Grey) (Biscuit/Gold)

USE WITH TYPE 1 - NATURAL
AND TYPE 4 LIQUEFIED PROPANE AND BUTANE GASES



8180314

7

Whirlpool [Residential Whirlpool LGN2000LW1 Dryer Parts](#) Parts Diagram 04 - 8318272 BURNER ASSEMBLY

[Click on the part number to view part](#)

| Item | Original Part Number | Replaced By | Status | Part Description |
|------|-------------------------|---------------------------|--------|------------------------------------|
| 1 | 8318272 | W10465748 | | Burner-Gas |
| 2 | 688617 | 693140 | | Burner |
| 3 | 694298 | | | Bracket, Ignitor |
| 4 | 686590 | 279311 | | Ignitor |
| 5 | 3393909 | | | Screw, 8-32 X 7/8 |
| 6 | 343641 | 681414 | | Screw, 10AB X 1/2 |
| 7 | 693986 | | | Base, Burner |
| 8 | 3387057 | | | Screw, 10-16 X 1/2 Orifice, Burner |
| 9 | 234826 | | | Orifice, Burner Type 1 |
| " | 229742 | | | Orifice, Burner |
| " | 234868 | | | Orifice, Burner |
| 10 | 8318277 | W10337269 | | Valve-Gas |
| 11 | 694421 | | | Screw, Bracket Mounting |
| 12 | 694538 | | | Bracket, Shunt |
| 13 | 694540 | | | Coil, 60 Hz |
| 14 | 694539 | | | Coil, 60 Hz |

| | | | |
|----|------------------------|---------------------------|--------------------------------|
| 15 | 694424 | | Leak, Limiter |
| 16 | 694423 | | Screw, Regulator Adjustment |
| 17 | 694422 | | Spring, Regulator |
| 20 | 239822 | W10295523 | Plug, Pipe |
| 25 | 341029 | | Clamp, Pipe Door Spring |
| " | 694572 | 49572A | Conversion Kit To Type L.p.g.f |
| " | N/A | | Not Available |

FOLLOWING PARTS NOT ILLUSTRATED

