

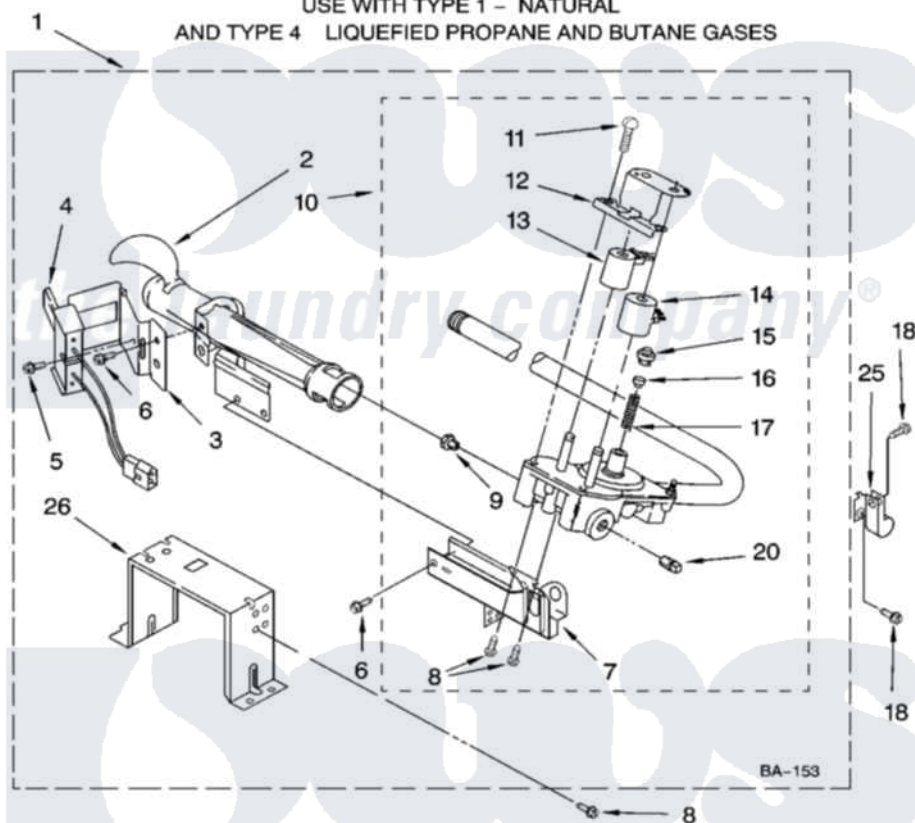
Whirlpool LGQ8611PG2 04 - 8576353 BURNER ASSEMBLY, OPTIONAL PARTS (NOT INCLUDED)

8576353 BURNER ASSEMBLY

For Models: LGQ8611PW2, LGQ8611PG2

(White/Grey) (Biscuit/Gold)

USE WITH TYPE 1 - NATURAL
AND TYPE 4 LIQUEFIED PROPANE AND BUTANE GASES



8180709

7

Whirlpool [Residential Whirlpool LGQ8611PG2 Dryer Parts](#) Parts Diagram 04 - 8576353 BURNER ASSEMBLY, OPTIONAL PARTS (NOT INCLUDED).
Click on the part number to view part

| Item | Original Part Number | Replaced By | Status | Part Description |
|------|-------------------------|------------------------|---------------|------------------------------------|
| 1 | 8576353 | 280119 | | Burner-Gas |
| 2 | 688617 | 693140 | | Burner |
| 3 | 694298 | | | Bracket, Ignitor |
| 4 | 686590 | 279311 | | Ignitor |
| 5 | 3393909 | | | Screw, 8-32 X 7/8 |
| 6 | 343641 | 681414 | | Screw, 10AB X 1/2 |
| 7 | 3389871 | | Not Available | Base, Burner |
| 8 | 3387057 | | | Screw, 10-16 X 1/2 Orifice, Burner |
| 9 | 15418 | | | Orifice, Burner Type 1 |
| " | 15422 | | Not Available | ORIFICE, BURNER (TYPE 4) (BUTANE) |
| " | 234867 | 229742 | | Orifice, Burner |
| 10 | 8281914 | 279923 | | NAT Gas |
| 11 | 694421 | | | Screw, Bracket Mounting |

| | | | |
|----|-------------------------|---------------------------|------------------------------------|
| 12 | 694538 | | Bracket, Shunt |
| 13 | 694540 | | Coil, 60 Hz |
| 14 | 694539 | | Coil, 60 Hz |
| 15 | 694424 | | Leak, Limiter |
| 16 | 694423 | | Screw, Regulator Adjustment |
| 17 | 694422 | | Spring, Regulator |
| 18 | 3390647 | 488729 | Screw |
| 20 | 239822 | W10295523 | Plug, Pipe |
| 25 | 3387561 | | Clamp-Pipe |
| 26 | 3389889 | | Bracket, Support |
| " | N/A | Not Available | FOLLOWING PARTS NOT ILLUSTRATED |
| " | 8576846 | W10317689 | Conversion Kit L.P.G. To Type Nat. |
| " | N/A | Not Available | ACCESSORY PARTS |
| " | 4392067 | | Kit, Dryer Repair |
| " | 3406911 | 8212450A | Dryer Rack |
| " | 346764 | | Kit, Hold Down |
| " | 8522199 | | Accessory Parts |
| " | 72017 | | Paint, Touch-Up |
| " | 4392899 | | Paint, Touch-Up |
| " | 350930 | | Paint, Pressurized Spray B |
| " | 4392901 | | Paint, Pressurized Spray |
| " | 350938 | | Paint, Pressurized Spray B |
| " | 799344 | | Paint, Touch-Up) |
| " | 4392900 | | Paint, Bulk) |

