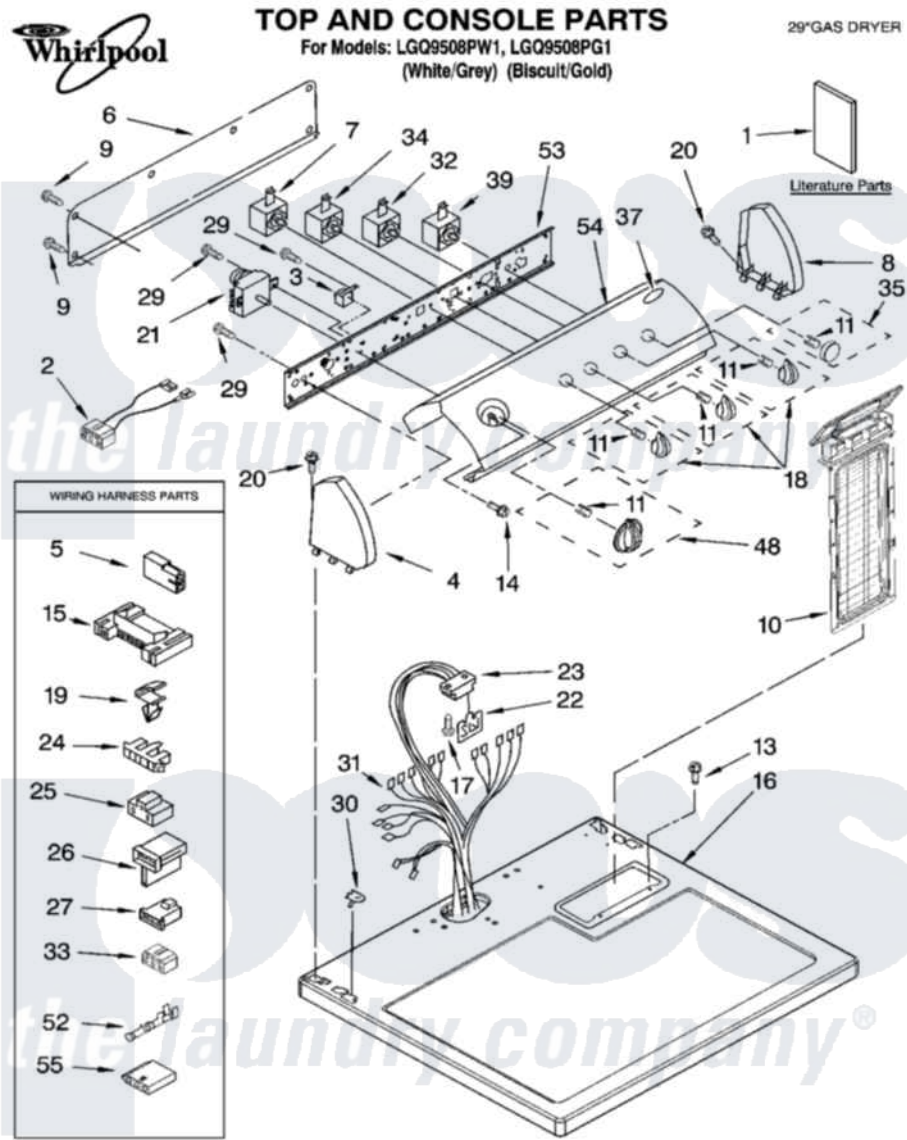


# Whirlpool LGQ9508PG1 01 - TOP AND CONSOLE PARTS



10-05 Litho in U.S.A.(LT)

1

Part No. 8180882

Whirlpool Residential Whirlpool LGQ9508PG1 Dryer Parts Parts Diagram 01 - TOP AND CONSOLE PARTS

[Click on the part number to view part](#)

Item	Original Part Number	Replaced By	Status	Part Description
1	8562582		Not Available	Instructions, Installation
"	8578183		Not Available	Use And Care Guide
"	8533770		Not Available	Sheet, Cycle Feature
"	8576803		Not Available	Wiring Diagram
"	N/A		Not Available	Following May Be Purchased DO-IT-YOURSELF REPAIR MANUALS
"	677818		Not Available	Manual, Do-It- Yourself Repair (Dryer)
2	<a href="#">3401695</a>			Wire, Jumper Buzzer
3	<a href="#">694419</a>			Mini-Buzzer
4	8271365	<a href="#">279962</a>		Endcap
"	8271368	<a href="#">279965</a>		Endcap
5	<a href="#">717252</a>			Receptacle, Terminal
6	<a href="#">8274261</a>			Do-It-Yourself Repair Manuals
7	<a href="#">3405155</a>			Switch, Temperature
8	8271359	<a href="#">279962</a>		Endcap

"	<a href="#">8271362</a>	<a href="#">279965</a>	Endcap
9	<a href="#">693995</a>		Screw, Hex Head
10	<a href="#">8557857</a>		Screen, Lint
"	<a href="#">8557858</a>		Screen, Lint
11	<a href="#">8536939</a>		Clip, Knob
13	688983	<a href="#">487240</a>	Screw, For Mtg. Service Capacitor
14	8533951	<a href="#">3400859</a>	Screw, Grounding
15	<a href="#">3395683</a>		Receptacle, Multi-Terminal
16	8557930	<a href="#">8563985</a>	Top
"	8557931	<a href="#">8563986</a>	Top
17	343641	<a href="#">681414</a>	Screw, 10AB X 1/2
18	<a href="#">8544937</a>		Knob, Control
"	<a href="#">8544938</a>		Knob, Control
19	<a href="#">3394427</a>		Clip-Harness
20	<a href="#">388326</a>		Screw, 8-18 X 1.25
21	<a href="#">3406725</a>		Timer Assembly
22	<a href="#">8558178</a>		Control, Electronic
23	<a href="#">3391885</a>		Connector, Edge
24	<a href="#">3397269</a>		Connector, Timer
25	<a href="#">3401144</a>		Connector
26	<a href="#">3403499</a>		Connector, 2-Position
27	<a href="#">3403498</a>		Connector, 3-Position
29	8533971	<a href="#">90767</a>	Screw, 8A X 3/8 Hex Washer Head Tapping
30	<a href="#">357213</a>		Nut, Push-In
31	<a href="#">8299891</a>		Harness, Wiring
32	<a href="#">3405152</a>		Switch, Wrinkle Shield
33	<a href="#">3347243</a>		Block, Disconnect
34	<a href="#">3405154</a>		Switch Rotary
35	<a href="#">8544941</a>		Knob, Push-To-Start
"	<a href="#">8544942</a>		Knob, Push-To-Start
37	<a href="#">3400985</a>		Medallion
39	<a href="#">3398094</a>		Switch, Push To Start
48	<a href="#">8544957</a>		Timer Knob Assembly
"	<a href="#">8544958</a>		Timer Knob Assembly
52	<a href="#">94614</a>		Terminal
53	<a href="#">8544895</a>		Bracket, Control
54	<a href="#">8545994</a>		Panel, Control
"	<a href="#">8545995</a>		Panel, Control
55	<a href="#">3936144</a>		Do-It-Yourself Repair Manuals