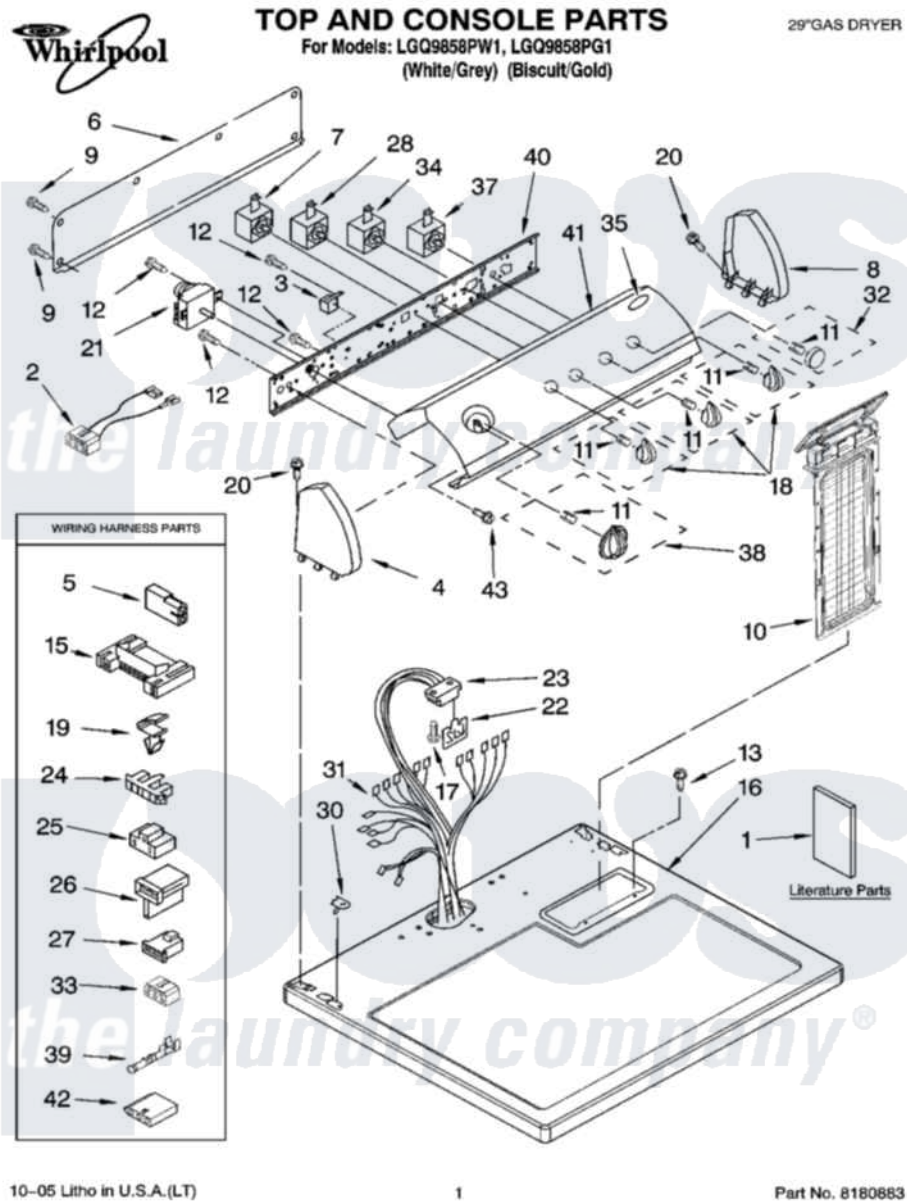


Whirlpool LGQ9858PG1 01 - TOP AND CONSOLE PARTS



10-05 Litho in U.S.A.(LT)

1

Part No. 8180883

Whirlpool Residential Whirlpool LGQ9858PG1 Dryer Parts Parts Diagram 01 - TOP AND CONSOLE PARTS

[Click on the part number to view part](#)

Item	Original Part Number	Replaced By	Status	Part Description
1	8562582		Not Available	Instructions, Installation
"	8533770		Not Available	Sheet, Cycle Feature
"	8578183		Not Available	Use And Care Guide
"	8576803		Not Available	Wiring Diagram
"	N/A		Not Available	Following May Be Purchased DO-IT-YOURSELF REPAIR MANUALS
"	677818		Not Available	Manual, Do-It- Yourself Repair (Dryer)
2	3401695			Wire, Jumper Buzzer
3	694419			Mini-Buzzer
4	8271365	279962		Endcap
"	8271368	279965		Endcap
5	717252			Receptacle, Terminal
6	8274261			Do-It-Yourself Repair Manuals
7	3405155			Switch, Temperature
8	8271359	279962		Endcap

"	8271362	279965	Endcap
9	693995		Screw, Hex Head
10	8557857		Screen, Lint
"	8557858		Screen, Lint
11	8536939		Clip, Knob
12	8533971	90767	Screw, 8A X 3/8 HeX Washer Head Tapping
13	688983	487240	Screw, For Mtg. Service Capacitor
15	3395683		Receptacle, Multi-Terminal
16	8557930	8563985	Top
"	8557931	8563986	Top
17	359625	487240	Screw, For Mtg. Service Capacitor
18	8544937		Knob, Control
"	8544938		Knob, Control
19	3394427		Clip-Harness
20	388326		Screw, 8-18 X 1.25
21	3406725		Timer Assembly
22	8558178		Control, Electronic
23	3391885		Connector, Edge
24	3397269		Connector, Timer
25	3401144		Connector
26	3403499		Connector, 2-Postion
27	3403498		Connector, 3-Position
28	3405152		Switch, Wrinkle Shield
30	357213		Nut, Push-In
31	8299891		Harness, Wiring
32	8544941		Knob, Push-To-Start
"	8544942		Knob, Push-To-Start
33	3347243		Block, Disconnect
34	3405154		Switch Rotary
35	3400985		Medallion
37	3398094		Switch, Push To Start
38	8544957		Timer Knob Assembly
"	8544958		Timer Knob Assembly
39	94614		Terminal
40	8544895		Bracket, Control
41	8545992		Panel, Control
"	8545993		Panel, Control
42	3936144		Do-It-Yourself Repair Manuals
43	8533951	3400859	Screw, Grounding