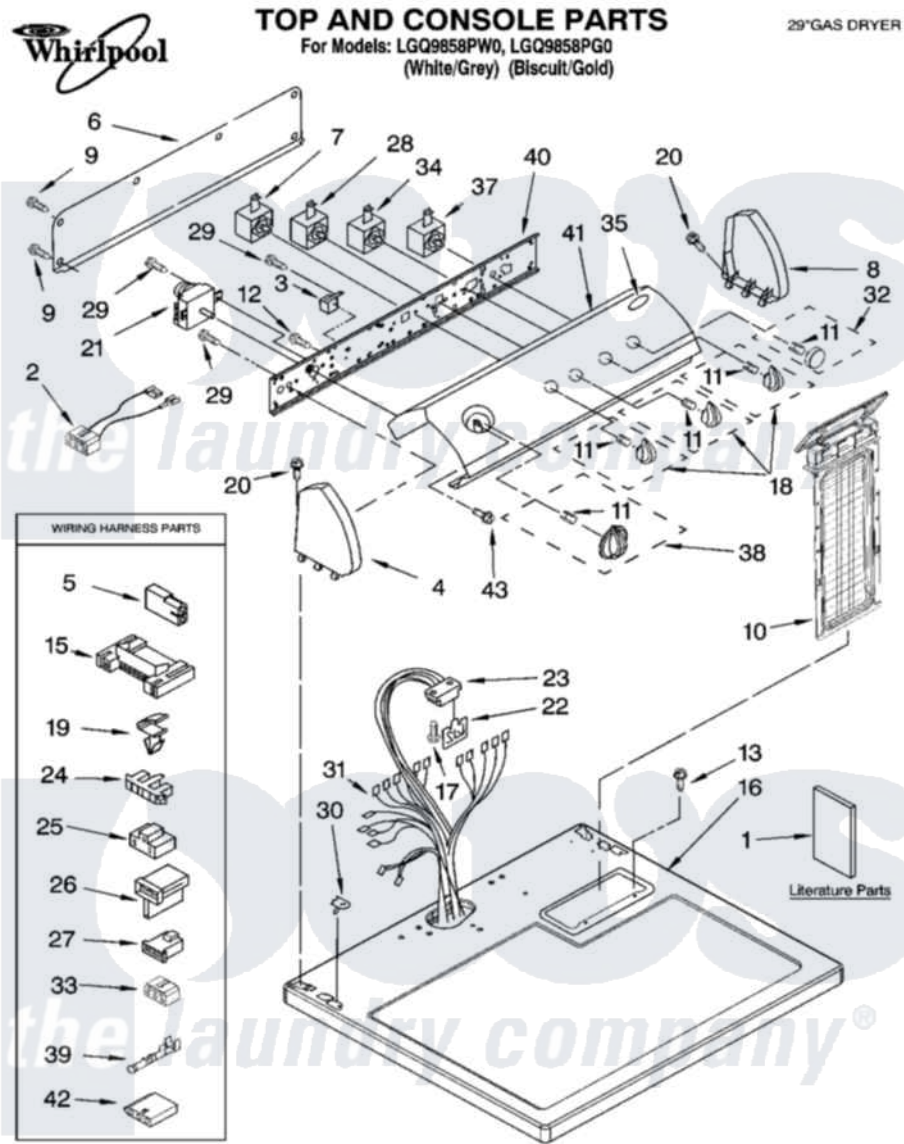


# Whirlpool LGQ9858PW0 01 - TOP AND CONSOLE PARTS



5-04 Litho in U.S.A. (djc)

1

Part No. 8180389

Whirlpool Residential Whirlpool LGQ9858PW0 Dryer Parts Parts Diagram 01 - TOP AND CONSOLE PARTS

[Click on the part number to view part](#)

| Item | Original Part Number    | Replaced By             | Status        | Part Description   |
|------|-------------------------|-------------------------|---------------|--|
| 1    | LIT8535830              |                         | Not Available | Literature Parts (Instructions, Installation)                  |
| "    | LIT8533770              |                         | Not Available | Literature Parts (Sheet, Cycle Feature)                        |
| "    | LIT8522243              |                         | Not Available | Literature Parts (Guide, Use & Care)                           |
| "    | LIT3406661              |                         | Not Available | Literature Parts (Wiring Diagram)                              |
| "    | N/A                     |                         | Not Available | Following May Be Purchased<br>DO-IT-YOURSELF REPAIR<br>MANUALS |
| "    | LIT677818               | <a href="#">677818L</a> |               | Diy  |
| 2    | <a href="#">3401695</a> |                         |               | Wire, Jumper Buzzer  |
| 3    | <a href="#">694419</a>  |                         |               | Mini-Buzzer  |
| 4    | 8271365                 | <a href="#">279962</a>  |               | Endcap   |
| "    | 8271368                 | <a href="#">279965</a>  |               | Endcap   |
| 5    | <a href="#">717252</a>  |                         |               | Receptacle, Terminal   |
| 6    | <a href="#">8274261</a> |                         |               | Do-It-Yourself Repair Manuals                                  |
| 7    | <a href="#">3405155</a> |                         |               | Switch, Temperature  |

|    |                         |                           |   |
|----|-------------------------|---------------------------|---|
| 8  | 8271359                 | <a href="#">279962</a>    | Endcap                                  |
| "  | 8271362                 | <a href="#">279965</a>    | Endcap                                  |
| 9  | <a href="#">693995</a>  |                           | Screw, Hex Head                         |
| 10 | <a href="#">8557857</a> |                           | Screen, Lint                            |
| "  | <a href="#">8557858</a> |                           | Screen, Lint                            |
| 11 | <a href="#">8536939</a> |                           | Clip, Knob                              |
| 12 | 8533971                 | <a href="#">90767</a>     | Screw, 8A X 3/8 HeX Washer Head Tapping |
| 13 | 688983                  | <a href="#">487240</a>    | Screw, For Mtg. Service Capacitor       |
| 15 | <a href="#">3395683</a> |                           | Receptacle, Multi-Terminal              |
| 16 | 8557930                 | <a href="#">8563985</a>   | Top                                     |
| "  | 8557931                 | <a href="#">8563986</a>   | Top                                     |
| 17 | 359625                  | <a href="#">487240</a>    | Screw, For Mtg. Service Capacitor       |
| 18 | <a href="#">8544937</a> |                           | Knob, Control                           |
| "  | <a href="#">8544938</a> |                           | Knob, Control                           |
| 19 | <a href="#">3394427</a> |                           | Clip-Harness                            |
| 20 | <a href="#">388326</a>  |                           | Screw, 8-18 X 1.25                      |
| 21 | <a href="#">3406725</a> |                           | Timer Assembly                          |
| 22 | 3390537                 | <a href="#">8558178</a>   | Control, Electronic                     |
| 23 | <a href="#">3391885</a> |                           | Connector, Edge                         |
| 24 | <a href="#">3397269</a> |                           | Connector, Timer                        |
| 25 | <a href="#">3401144</a> |                           | Connector                               |
| 26 | <a href="#">3403499</a> |                           | Connector, 2-Postion                    |
| 27 | <a href="#">3403498</a> |                           | Connector, 3-Position                   |
| 28 | <a href="#">3405152</a> |                           | Switch, Wrinkle Shield                  |
| 29 | 3390646                 | <a href="#">W10139210</a> | Screw, 8-18 X 5/16                      |
| 30 | <a href="#">357213</a>  |                           | Nut, Push-In                            |
| 31 | <a href="#">8299891</a> |                           | Harness, Wiring                         |
| 32 | <a href="#">8544941</a> |                           | Knob, Push-To-Start                     |
| "  | <a href="#">8544942</a> |                           | Knob, Push-To-Start                     |
| 33 | <a href="#">3347243</a> |                           | Block, Disconnect                       |
| 34 | <a href="#">3405154</a> |                           | Switch Rotary                           |
| 35 | <a href="#">3400985</a> |                           | Medallion                               |
| 37 | <a href="#">3398094</a> |                           | Switch, Push To Start                   |
| 38 | <a href="#">8544957</a> |                           | Timer Knob Assembly                     |
| "  | <a href="#">8544958</a> |                           | Timer Knob Assembly                     |
| 39 | <a href="#">94614</a>   |                           | Terminal                                |
| 40 | <a href="#">8544895</a> |                           | Bracket, Control                        |
| 41 | <a href="#">8545992</a> |                           | Panel, Control                          |
| "  | <a href="#">8545993</a> |                           | Panel, Control                          |
| 42 | <a href="#">3936144</a> |                           | Do-It-Yourself Repair Manuals           |
| 43 | 8533951                 | <a href="#">3400859</a>   | Screw, Grounding                        |
| "  | N/A                     |                           | Not Available                           |
| "  | 279948                  | <a href="#">4392065</a>   | ACCESSORY PARTS                         |
| "  | <a href="#">346764</a>  |                           | Kit, Dryer Repair                       |
| "  | <a href="#">3406839</a> |                           | Kit, Hold Down                          |
| "  | <a href="#">3406839</a> |                           | Dry Rack Assembly                       |
| "  | <a href="#">8522199</a> |                           | Accessory Parts                         |
| "  | <a href="#">72017</a>   |                           | Paint, Touch-Up                         |
| "  | <a href="#">4392899</a> |                           | Paint, Touch-Up                         |
| "  | <a href="#">350930</a>  |                           | Paint, Pressurized Spray B              |
| "  | <a href="#">4392901</a> |                           | Paint, Pressurized Spray                |

"

[350938](#)

Paint, Pressurized Spray B

"

[799344](#)

Paint, Touch-Up )

"

[4392900](#)

Paint, Bulk )

