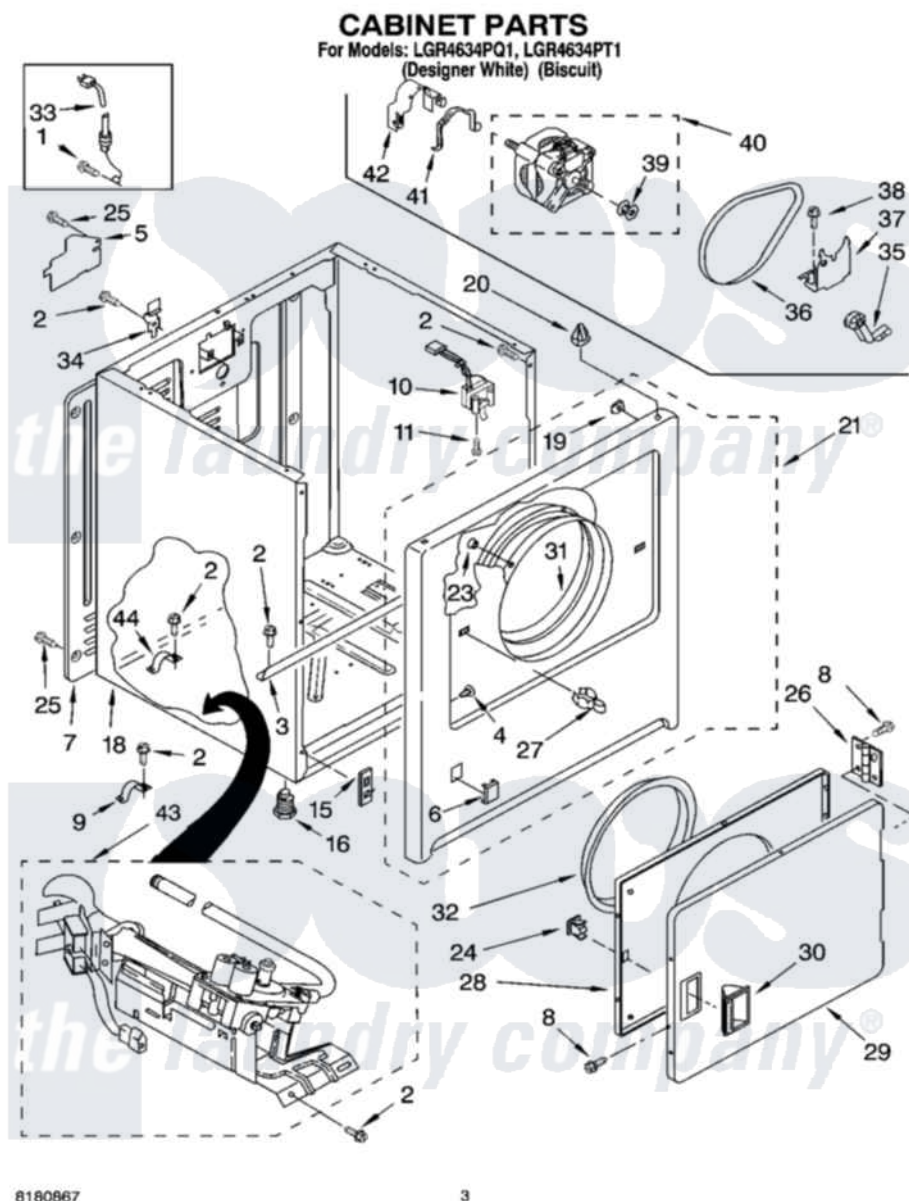


Whirlpool LGR4634PQ1 02 - CABINET PARTS



8180867

3

Whirlpool Residential Whirlpool LGR4634PQ1 Dryer Parts Parts Diagram 02 - CABINET PARTS

[Click on the part number to view part](#)

Item	Original Part Number	Replaced By	Status	Part Description
1	697776	4331106		Screw, No.10-32 X 7/16
2	343641	681414		Screw, 10AB X 1/2
3	8541400			Bracket, Cabinet
4	3404413			Plug, Hinge Hole
"	3404415			Plug, Hinge Hole
5	3396795			Cover, Terminal Block
6	3394975			Plug, Front Panel
"	3394978			Plug, Front Panel
7	3396807	280040		Panel-Rear
8	342055	488627		Screw
9	3980175			Clamp, Elbow
10	3406104	3406105		Door Switch Assembly
11	697773	3395530		Screw
15	3394083			Clip, Front Panel
16	3392100	49621		Feet-Leveling
"	279810			Foot-Optional

18	8530603	8533643	Cabinet
"	8530606	3977306	Cabinet
19	98234		Clip, U-Bend
20	690363	18776	Lock, Front Top
21	3403574	279846	Panel
"	3403577	279932	Panel
23	685203	279220	Clip
24	690081	279570	Latch
25	693995		Screw, Hex Head
26	3405514	W10362431	Hinge And Pin Assembly
27	696144	279570	Latch
28	3403371		Door, Inner
29	3403361		Door Front
"	3403363		Door, Front
30	3405184		Handle, Door
"	3405189		Handle, Door
31	8066124	279264	Air Channel Box
32	3405245		5/16-18 X 3/4
33	344020	3401402	Cord, Power
34	238088	8066217	Hinge, Top
35	691366		Idler And Pulley Assembly
36	8066065	341241	Belt
37	348780		Base, Motor
38	3400500		Bolt, 3405245 5/16-18 X 3/4
39	3394341	W10299847	Pulley-Motor
40	8066206	279827	Motor-Drve
41	660658		Clamp, Motor Mounting 343481 685441
42	3404162		Clamp, Motor
43	8318272	W10465748	Burner-Gas
44	341029		Clamp, Pipe Door Spring

