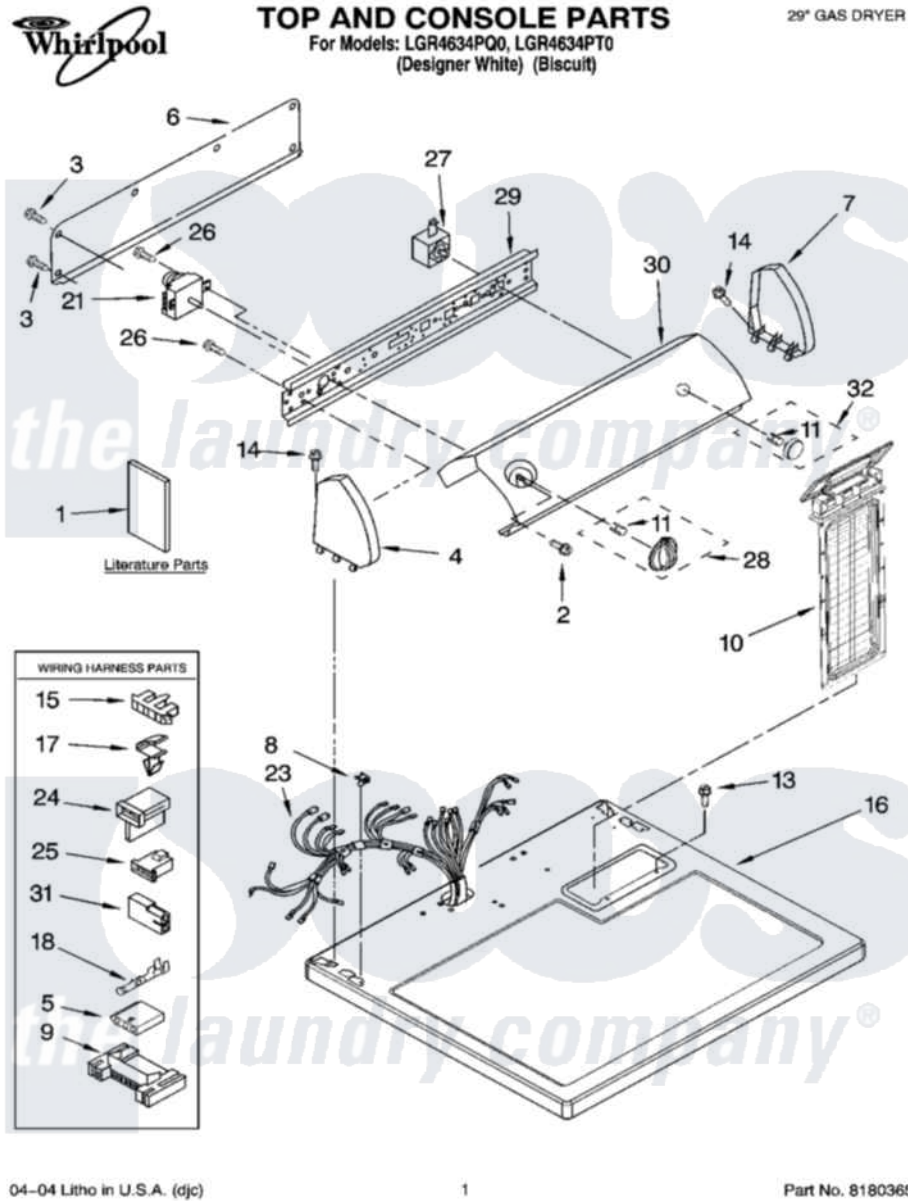


# Whirlpool LGR4634PT0 01 - TOP AND CONSOLE PARTS



04-04 Litho in U.S.A. (djc)

1

Part No. 8180365

Whirlpool Residential Whirlpool LGR4634PT0 Dryer Parts Parts Diagram 01 - TOP AND CONSOLE PARTS  
 Click on the part number to view part

| Item | Original Part Number    | Replaced By             | Status        | Part Description                              |
|------|-------------------------|-------------------------|---------------|---|
| 1    | LIT3979614              |                         | Not Available | Literature Parts (Use & Care Guide)           |
| "    | LIT8535832              |                         | Not Available | Literature Parts (Instructions, Installation) |
| "    | LIT8563884              |                         | Not Available | Literature Parts (Wiring Diagram)             |
| "    | LIT8533770              |                         | Not Available | Literature Parts (Sheet, Cycle Feature)       |
| "    | N/A                     |                         | Not Available | Following May Be Purchased                    |
| "    | N/A                     |                         | Not Available | DO-IT-YOURSELF REPAIR MANUALS                 |
| "    | LIT677818               | <a href="#">677818L</a> |               | Diy   |
| 2    | <a href="#">3400859</a> |                         |               | Screw, Grounding                              |
| 3    | <a href="#">693995</a>  |                         |               | Screw, Hex Head                               |
| 4    | 8271365                 | <a href="#">279962</a>  |               | Endcap  |
| "    | 8271368                 | <a href="#">279965</a>  |               | Endcap  |
| 5    | <a href="#">3936144</a> |                         |               | Do-It-Yourself Repair Manuals                 |
| 6    | <a href="#">8274261</a> |                         |               | Do-It-Yourself Repair Manuals                 |

|    |                         |                           |                                   |
|----|-------------------------|---------------------------|-----------------------------------|
| 7  | 8271359                 | <a href="#">279962</a>    | Endcap                            |
| "  | 8271362                 | <a href="#">279965</a>    | Endcap                            |
| 8  | <a href="#">357213</a>  |                           | Nut, Push-In                      |
| 9  | <a href="#">3395683</a> |                           | Receptacle, Multi-Terminal        |
| 10 | <a href="#">8557861</a> |                           | Screen, Lint                      |
| "  | <a href="#">8557862</a> |                           | Screen, Lint                      |
| 11 | <a href="#">8536939</a> |                           | Clip, Knob                        |
| 13 | 688983                  | <a href="#">487240</a>    | Screw, For Mtg. Service Capacitor |
| 14 | <a href="#">388326</a>  |                           | Screw, 8-18 X 1.25                |
| 15 | <a href="#">3397269</a> |                           | Connector, Timer                  |
| 16 | 8557930                 | <a href="#">8563985</a>   | Top                               |
| "  | 8557931                 | <a href="#">8563986</a>   | Top                               |
| 17 | <a href="#">3394427</a> |                           | Clip-Harness                      |
| 18 | <a href="#">94614</a>   |                           | Terminal                          |
| 21 | <a href="#">3976584</a> |                           | Timer Assembly                    |
| 23 | <a href="#">8299876</a> |                           | Harness, Wiring                   |
| 24 | <a href="#">3403499</a> |                           | Connector, 2-Postion              |
| 25 | <a href="#">3403498</a> |                           | Connector, 3-Position             |
| 26 | 3390646                 | <a href="#">W10139210</a> | Screw, 8-18 X 5/16                |
| 27 | <a href="#">3977456</a> |                           | Switch, Push-To-Start             |
| 28 | <a href="#">8544955</a> |                           | Timer Knob Assembly               |
| "  | <a href="#">8544956</a> |                           | Timer Knob Assembly               |
| 29 | <a href="#">8271418</a> |                           | Bracket, Control                  |
| 30 | <a href="#">8545960</a> |                           | Panel, Control                    |
| "  | <a href="#">8545970</a> |                           | Panel, Control                    |
| 31 | <a href="#">717252</a>  |                           | Receptacle, Terminal              |
| 32 | <a href="#">8544939</a> |                           | Knob, Push-To-Start               |
| "  | <a href="#">8544942</a> |                           | Knob, Push-To-Start               |
| "  | N/A                     | Not Available             | ACCESSORY PARTS                   |
| "  | 279948                  | <a href="#">4392065</a>   | Kit, Dryer Repair                 |
| "  | <a href="#">8522199</a> |                           | Accessory Parts                   |
| "  | <a href="#">346764</a>  |                           | Kit, Hold Down                    |
| "  | <a href="#">689790</a>  |                           | Dry Rack                          |
| "  | <a href="#">72017</a>   |                           | Paint, Touch-Up                   |
| "  | <a href="#">4392899</a> |                           | Paint, Touch-Up                   |
| "  | <a href="#">350930</a>  |                           | Paint, Pressurized Spray B        |
| "  | <a href="#">4392901</a> |                           | Paint, Pressurized Spray          |
| "  | <a href="#">350938</a>  |                           | Paint, Pressurized Spray B        |
| "  | <a href="#">799344</a>  |                           | Paint, Touch-Up )                 |
| "  | <a href="#">4392900</a> |                           | Paint, Bulk )                     |

*the laundry company*<sup>®</sup>