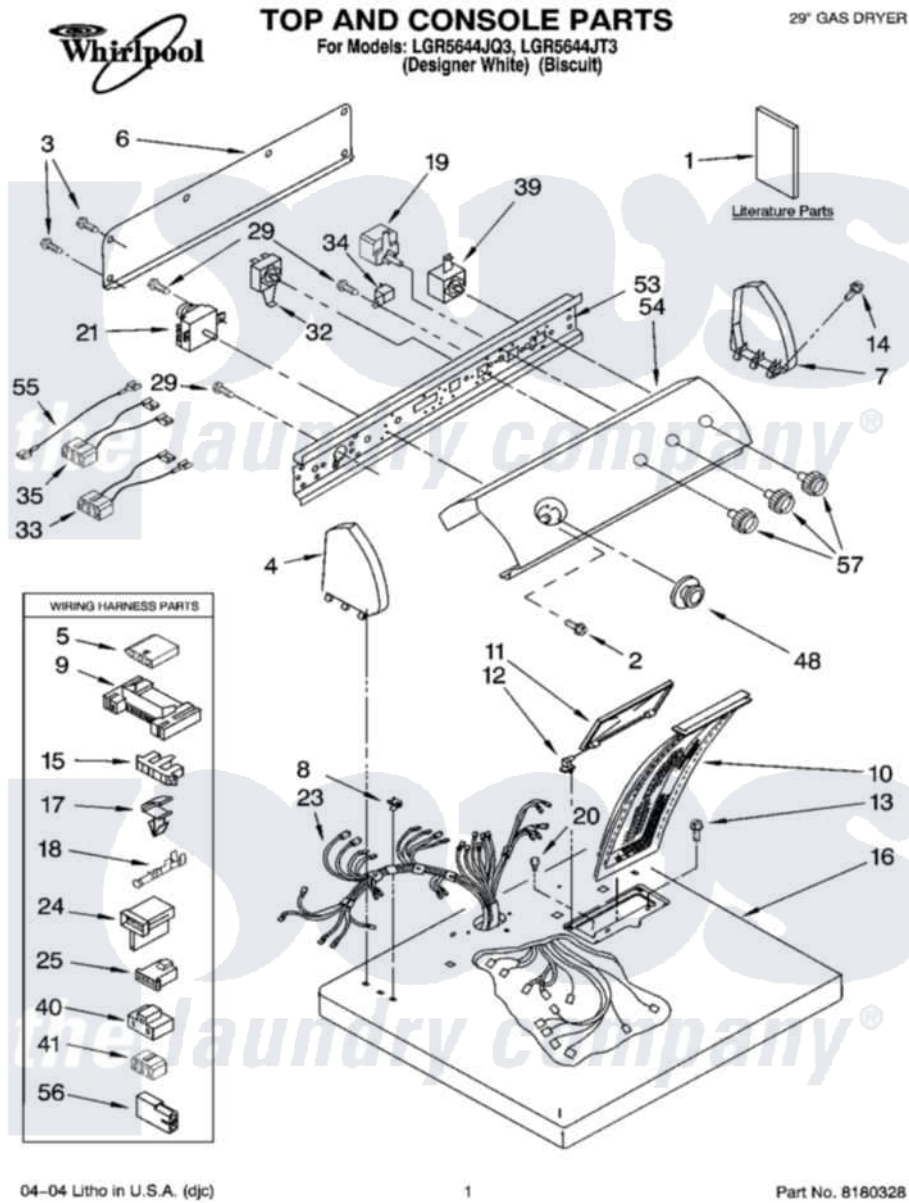


Whirlpool LGR5644JT3 01 - TOP AND CONSOLE PARTS



04-04 Litho in U.S.A. (djc)

1

Part No. 8180328

Whirlpool Residential Whirlpool LGR5644JT3 Dryer Parts Parts Diagram 01 - TOP AND CONSOLE PARTS

[Click on the part number to view part](#)

| Item | Original Part Number | Replaced By | Status | Part Description |
|------|-------------------------|-------------------------|---------------|----------------------------------------------------------------|
| 1 | LIT8522243 | | Not Available | Literature Parts (Guide, Use & Care) |
| " | LIT8535830 | | Not Available | Literature Parts (Instructions, Installation) |
| " | LIT3979703 | | Not Available | Literature Parts (Label, Wiring Diagram) |
| " | LIT8522245 | | Not Available | Literature Parts (Sheet, Cycle Feature (For Model LEQ5000KQ1)) |
| " | N/A | | Not Available | Following May Be Purchased |
| " | N/A | | Not Available | DO-IT-YOURSELF REPAIR MANUALS |
| " | LIT677818 | 677818L | | Diy |
| 2 | 3400859 | | | Screw, Grounding |
| 3 | 693995 | | | Screw, Hex Head |
| 4 | 8271365 | 279962 | | Endcap |
| " | 8271368 | 279965 | | Endcap |
| 5 | 3936144 | | | Do-It-Yourself Repair Manuals |
| 6 | 8274261 | | | Do-It-Yourself Repair Manuals |

| | | | |
|----|-------------------------|---------------------------|-----------------------------------|
| 7 | 8271359 | 279962 | Endcap |
| " | 8271362 | 279965 | Endcap |
| 8 | 357213 | | Nut, Push-In |
| 9 | 3395683 | | Receptacle, Multi-Terminal |
| 10 | 339392 | | Screen, Lint |
| 11 | 8283378 | | Cover, Lint Screen |
| " | 8283380 | | Cover, Lint Screen |
| 12 | 3978605 | W10044470 | Hinge, RH |
| " | 3978606 | | Hinge, Lint Lid |
| 13 | 688983 | 487240 | Screw, For Mtg. Service Capacitor |
| 14 | 388326 | | Screw, 8-18 X 1.25 |
| 15 | 3397269 | | Connector, Timer |
| 16 | 8271390 | 8521918 | Top |
| " | 8271392 | 8521920 | Top |
| 17 | 3394427 | | Clip-Harness |
| 18 | 94614 | | Terminal |
| 19 | 3405156 | | Switch, Rotary |
| 20 | 297535 | 17258 | Bumper |
| 21 | 8299766 | | Timer Assembly |
| 23 | 8299878 | | Harness, Wiring |
| 24 | 3403499 | | Connector, 2-Postion |
| 25 | 3403498 | | Connector, 3-Position |
| 29 | 3390646 | W10139210 | Screw, 8-18 X 5/16 |
| 32 | 3399639 | | Switch, Rotary Temperature |
| 33 | 3397695 | | Wire, Jumper |
| 34 | 694419 | | Mini-Buzzer |
| 35 | 3396029 | 8539893 | Wire, Jumper |
| 39 | 3398095 | | Switch, Push-To-Start |
| 40 | 3401144 | | Connector |
| 41 | 3347243 | | Block, Disconnect |
| 48 | 8312687 | 3957754 | Timer Knob Assembly |
| " | 8271404 | 3957755 | Timer Knob Assembly |
| 53 | 8271418 | | Bracket, Control |
| 54 | 3977819 | | Panel, Control |
| " | 3977820 | | Panel, Control |
| 55 | 3401684 | | Jumper, Wire |
| 56 | 717252 | | Receptacle, Terminal |
| 57 | 8271339 | 3957799 | Knob, Control |
| " | 8271348 | 3957797 | Knob, Push-To-Start |
| " | N/A | Not Available | ACCESSORY PARTS |
| " | 279948 | 4392065 | Kit, Dryer Repair |
| " | 346764 | | Kit, Hold Down |
| " | 689790 | | Dry Rack |
| " | 8522199 | | Accessory Parts |
| " | 72017 | | Paint, Touch-Up |
| " | 4392899 | | Paint, Touch-Up |
| " | 350930 | | Paint, Pressurized Spray B |
| " | 4392901 | | Paint, Pressurized Spray |
| " | 350938 | | Paint, Pressurized Spray B |
| " | 799344 | | Paint, Touch-Up) |
| " | 4392900 | | Paint, Bulk) |