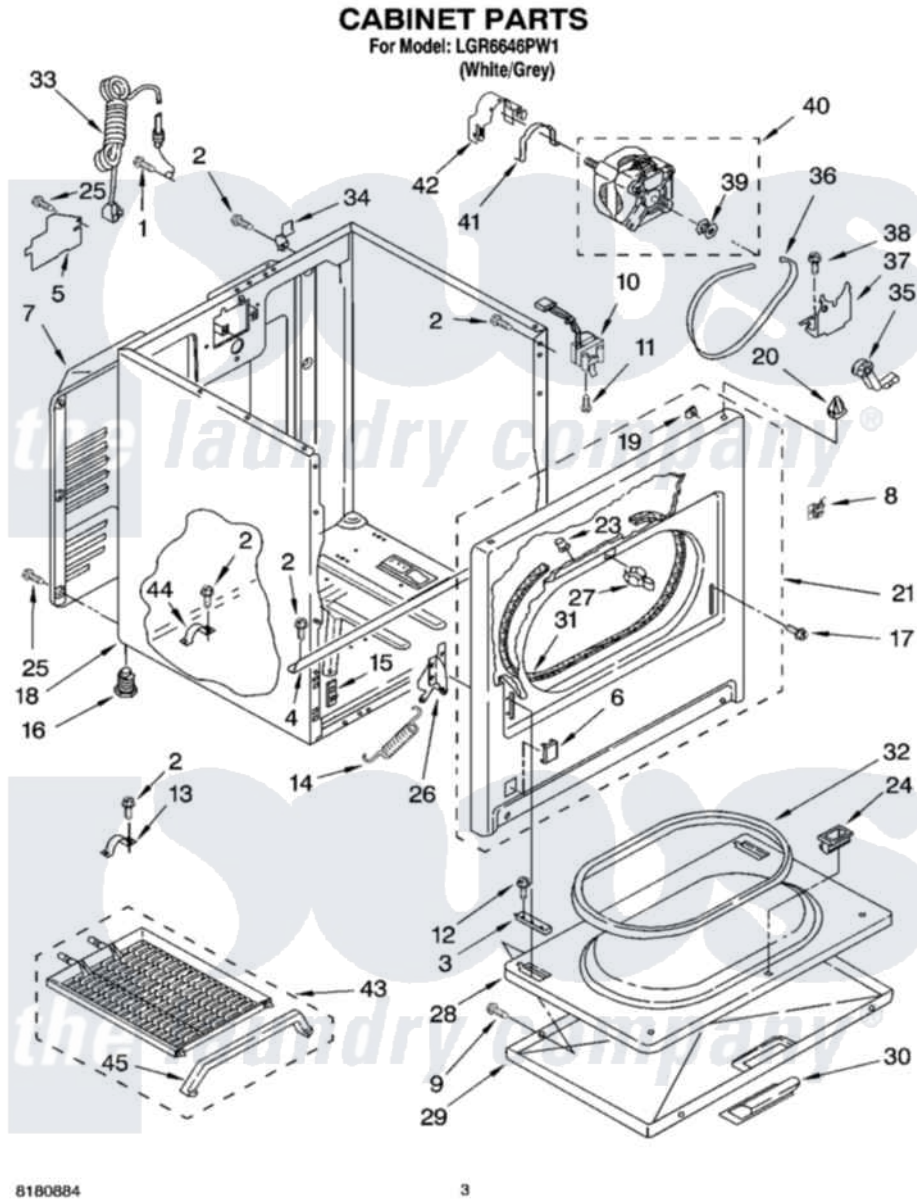


Whirlpool LGR6646PW1 02 - CABINET PARTS



Whirlpool [Residential Whirlpool LGR6646PW1 Dryer Parts](#) Parts Diagram 02 - CABINET PARTS
Click on the part number to view part

Item	Original Part Number	Replaced By	Status	Part Description
1	697776	4331106		Screw, No.10-32 X 7/16
2	343641	681414		Screw, 10AB X 1/2
3	337189			Clip, Hinge
4	8541400			Bracket, Cabinet
5	3396795			Cover, Terminal Block
6	3394975			Plug, Front Panel
7	3396805	280043		Panel-Rear
8	8546676	W10041960		Spring, Door
9	694091			Trim, Side Right Hand
10	3406107			Door Switch Assembly
11	697773	3395530		Screw
12	3357011	308685		Side Trim)
13	3980175			Clamp, Elbow
14	8541401	W10041960		Spring, Door
15	3394083			Clip, Front Panel
16	3392100	49621		Feet-Leveling

"	279810		Foot-Optional
17	342043	486146	Screw
18	8530603	8533643	Cabinet
19	98234		Clip, U-Bend
20	690363	18776	Lock, Front Top
21	3395197	279740	Panel
23	685203	279220	Clip
24	3389441		Door Catch Assembly
25	693995		Screw, Hex Head
26	8066056		Hinge, Door
"	8066057		Hinge, Door
27	696144	279570	Latch
28	695737		Door, Rear
29	3393549		Door, Front
30	690270	348721	Handle
31	3406129		Seal And Bearing Assembly
32	3390731		Seal, Door
33	344020	3401402	Cord, Power
34	238088	8066217	Hinge, Top
35	691366		Idler And Pulley Assembly
36	8066065	341241	Belt
37	348780		Base, Motor
38	3400500		Bolt, 3405245 5/16-18 X 3/4
39	3394341	W10299847	Pulley-Motor
40	8066206	279827	Motor-Drve
41	660658		Clamp, Motor Mounting 343481 685441
42	3404162		Clamp, Motor
43	3406839		Dry Rack Assembly
44	341029		Clamp, Pipe Door Spring
45	692989		BRacket, Dry Rack

