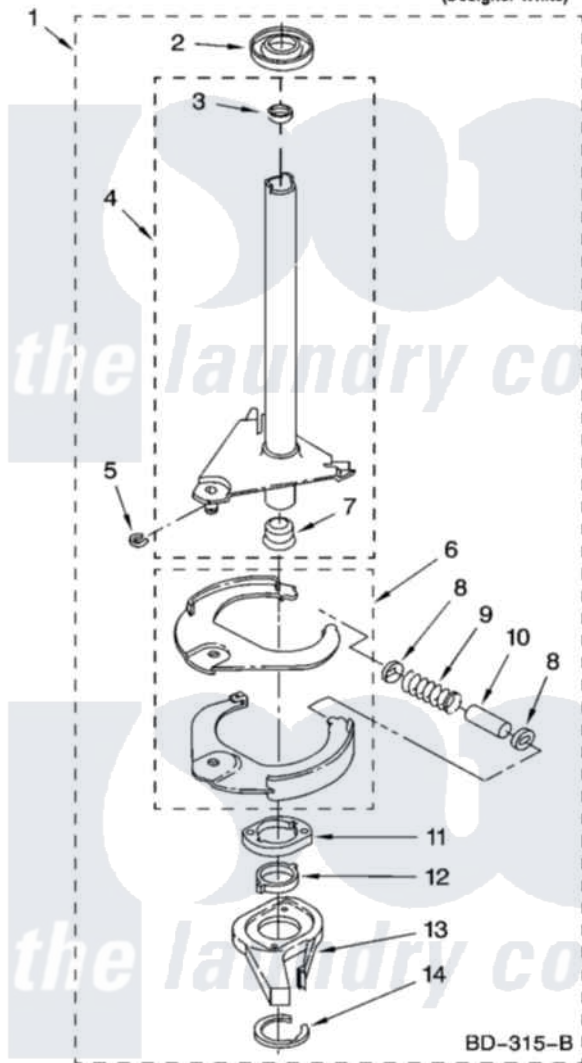


# Whirlpool LSQ8000LQ3 07 - BRAKE AND DRIVE TUBE PARTS

## BRAKE AND DRIVE TUBE PARTS

For Model: LSQ8000LQ3  
(Designer White)



8180915

11

Whirlpool Residential Whirlpool LSQ8000LQ3 Washer Parts Parts Diagram 07 - BRAKE AND DRIVE TUBE PARTS

Click on the part number to view part

Item	Original Part Number	Replaced By	Status	Part Description
1	388952	<a href="#">285792</a>		Basketdrive
2	<a href="#">62658</a>			Ring, Thrust
3	<a href="#">356427</a>			Seal, Spin Pinion
4	64027	<a href="#">64208</a>		Tube-Spin
5	64035	<a href="#">W10083190</a>		Ring, Retaining
6	64232	<a href="#">285438</a>		Shoe-Brake
7	62703	<a href="#">8546462</a>		"T" Bearing, Spin Tube
8	3353956	<a href="#">285658</a>		Sleeve
9	387806		Not Available	Spring, Brake
10	3355360	<a href="#">285658</a>		Sleeve
11	661516	<a href="#">8546461</a>		Cam, Brake Release
12	<a href="#">63022</a>			Sleeve, Cam
13	64194	<a href="#">285790</a>		Lining
14	90368	<a href="#">W10083200</a>		Ring, Retaining
"	N/A		Not Available	FOLLOWING PARTS NOT ILLUSTRATED
"	<a href="#">285208</a>			Lubricant

