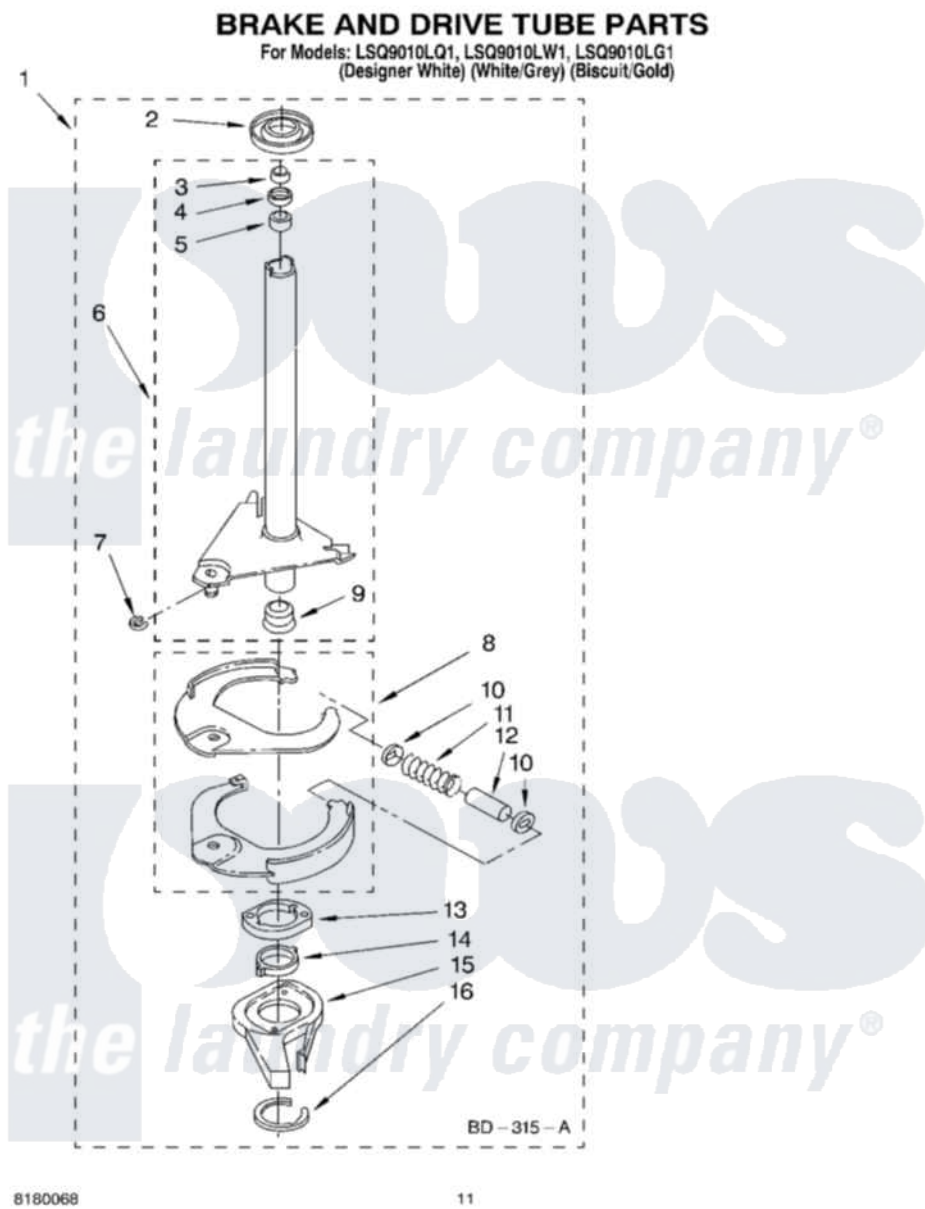


Whirlpool LSQ9010LQ1 07 - BRAKE AND DRIVE TUBE PARTS



8180068

11

Whirlpool [Residential Whirlpool LSQ9010LQ1 Washer Parts](#) Parts Diagram 07 - BRAKE AND DRIVE TUBE PARTS
Click on the part number to view part

| Item | Original Part Number | Replaced By | Status | Part Description |
|------|------------------------|---------------------------|---------------|------------------------|
| 1 | 388952 | 285792 | | Basketdrive |
| 2 | 62658 | | | Ring, Thrust |
| 3 | 91939 | | | Seal, Shaft |
| 4 | 356427 | | | Seal, Spin Pinion |
| 5 | 356937 | | | Spacer, Drive Tube |
| 6 | 64027 | 64208 | | Tube-Spin |
| 7 | 64035 | W10083190 | | Ring, Retaining |
| 8 | 64232 | 285438 | | Shoe-Brake |
| 9 | 62703 | 8546462 | | "T" Bearing, Spin Tube |
| 10 | 62648 | 285658 | | Sleeve |
| 11 | 387806 | | Not Available | Spring, Brake |
| 12 | 62909 | 285658 | | Sleeve |
| 13 | 63023 | 8546461 | | Cam, Brake Release |
| 14 | 63022 | | | Sleeve, Cam |
| 15 | 64194 | 285790 | | Lining |
| 16 | 90368 | W10083200 | | Ring, Retaining |

" N/A

Not Available

FOLLOWING PARTS NOT
ILLUSTRATED

" [285208](#)

Lubricant

