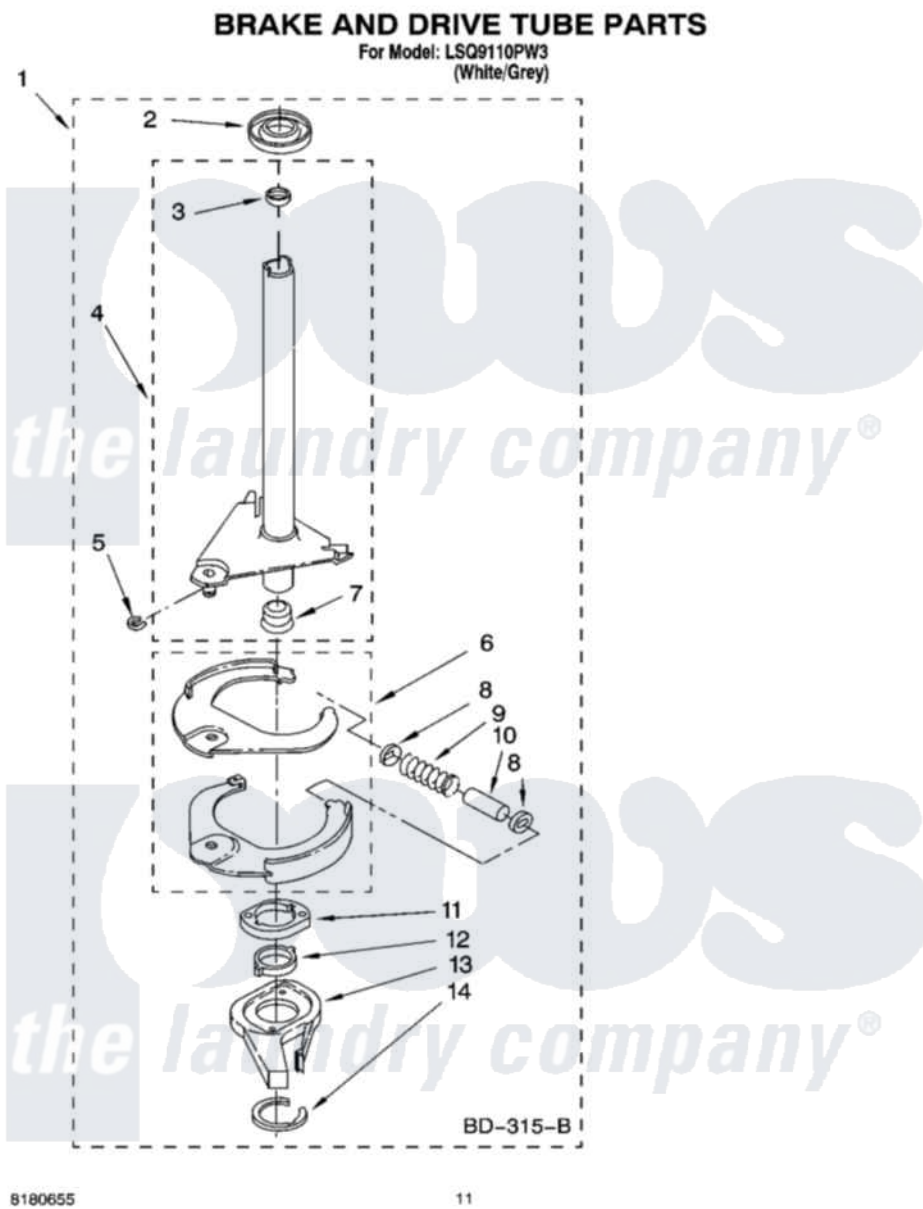


# Whirlpool LSQ9110PW3 07 - BRAKE AND DRIVE TUBE PARTS



Whirlpool Residential Whirlpool LSQ9110PW3 Washer Parts Parts Diagram 07 - BRAKE AND DRIVE TUBE PARTS  
Click on the part number to view part

| Item | Original Part Number   | Replaced By               | Status        | Part Description                |
|------|------------------------|---------------------------|---------------|---------------------------------|
| 1    | 388952                 | <a href="#">285792</a>    |               | Basketdrive                     |
| 2    | <a href="#">62658</a>  |                           |               | Ring, Thrust                    |
| 3    | <a href="#">356427</a> |                           |               | Seal, Spin Pinion               |
| 4    | 64027                  | <a href="#">64208</a>     |               | Tube-Spin                       |
| 5    | 64035                  | <a href="#">W10083190</a> |               | Ring, Retaining                 |
| 6    | 64232                  | <a href="#">285438</a>    |               | Shoe-Brake                      |
| 7    | 62703                  | <a href="#">8546462</a>   |               | "T" Bearing, Spin Tube          |
| 8    | 3353956                | <a href="#">285658</a>    |               | Sleeve                          |
| 9    | 387806                 |                           | Not Available | Spring, Brake                   |
| 10   | 3355360                | <a href="#">285658</a>    |               | Sleeve                          |
| 11   | 661516                 | <a href="#">8546461</a>   |               | Cam, Brake Release              |
| 12   | <a href="#">63022</a>  |                           |               | Sleeve, Cam                     |
| 13   | 64194                  | <a href="#">285790</a>    |               | Lining                          |
| 14   | 90368                  | <a href="#">W10083200</a> |               | Ring, Retaining                 |
| "    | N/A                    |                           | Not Available | FOLLOWING PARTS NOT ILLUSTRATED |
| "    | <a href="#">285208</a> |                           |               | Lubricant                       |

