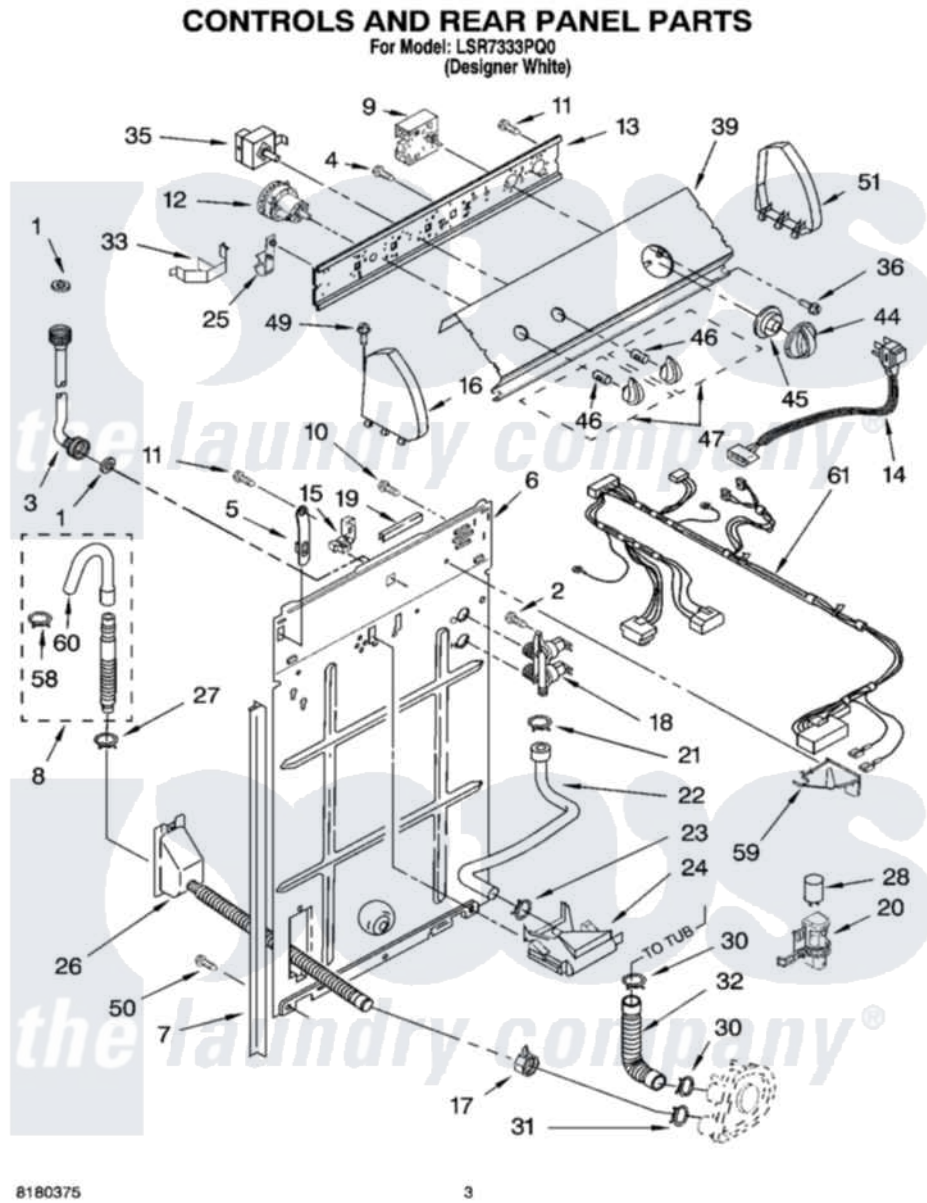


Whirlpool LSR7333PQ0 02 - CONTROLS AND REAR PANEL PARTS



Whirlpool Residential Whirlpool LSR7333PQ0 Washer Parts Parts Diagram 02 - CONTROLS AND REAR PANEL PARTS
Click on the part number to view part

Item	Original Part Number	Replaced By	Status	Part Description
1	3976300	16123		Washer Inlet-Hose Miscellaneous Parts Must be Ordered Separately.
2	9740848			Screw, Mixing Valve Mounting
3	3949374	89503		Hose-Inlet
"	3949375	89503		Hose-Inlet
4	3400073			Screw, Ground
5	8318255	8568314		Strap, Console
6	3357978			Panel, Rear
7	62747			Pad, Rear Panel
8	3951609	285664		Hose
"	661577	285666		Hose
"	3357090	285702		Hose
9	8546685			Timer, Control
10	3351614			Screw, Gearcase Cover Mounting
11	90767			Screw, 8A X 3/8 HeX Washer Head Tapping

12	3366848	W10339229	Switch-WL
13	3948608		Bracket, Control
14	661661	285800	Cord-Power
15	3952821	285777	Relief-Str
16	8271365	279962	Endcap
17	3976395		Restraint, Hose
18	3952164	285805	Valve-Inlet
19	303294	3367669	Protector, Edge
20	8318046		Clip, Capacitor
21	301958	596669	Clamp, Manifold
22	8541607	3357328	Hose, Vacuum Break
23	370450	596669	Clamp, Manifold
24	387606	3360977	Break-Vac
25	8317975		Restraint, Harness
26	8317940	W10358149	Drain Hose Assembly
27	3976395		Restraint, Hose
28	661606	8572717	Capacitor, Motor Start
30	3363366	616099	Clamp
31	8317496	285655	Clamp, Hose
32	3951449	285871	Hose
33	8055003		Clip, Harness And Pressure Switch
35	661612	W10168256	Switch, Water Temperature
36	3400818		Screw, Timer Mounting
39	3956551		Panel, Console
44	8544943		Knob, Timer
45	8544947		Dial, Timer
46	8536939		Clip, Knob
47	8544935		Knob, Control
49	388326		Screw, 8-18 X 1.25
50	62863	3390631	Screw, 10-16 X 3/8
51	8271359	279962	Endcap
58	3366913	3357331	Clamp, Drain
59	8539874		Shield, Suds
60	3357027		Nozzle, Hose Drain
61	3957014		Harness, Wiring

