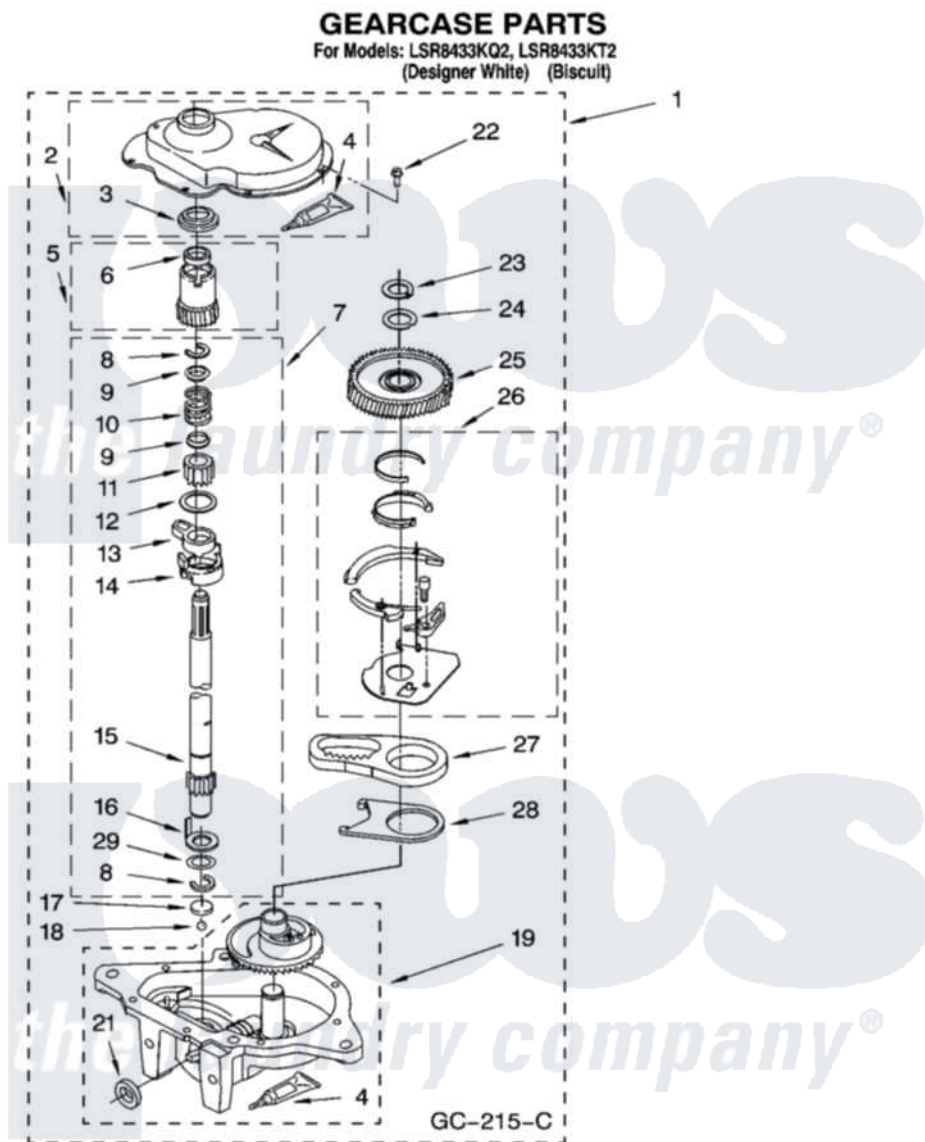


# Whirlpool LSR8433KQ2 08 - GEARCASE PARTS



12

8180207

Whirlpool [Residential Whirlpool LSR8433KQ2 Washer Parts](#) Parts Diagram 08 - GEARCASE PARTS  
Click on the part number to view part

| Item | Original Part Number    | Replaced By             | Status        | Part Description      |
|------|-------------------------|-------------------------|---------------|-----------------------|
| 1    | 3360630                 | <a href="#">3360629</a> |               | Gearcase              |
| 2    | <a href="#">285202</a>  |                         |               | Cover, Gearcase       |
| 3    | <a href="#">3349985</a> |                         |               | Seal, Gearcase Cover  |
| 4    | <a href="#">285195</a>  |                         |               | Sealer Sealer, Gasket |
| 5    | 63320                   | <a href="#">285362</a>  |               | Gear and Pinon        |
| 6    | <a href="#">356427</a>  |                         |               | Seal, Spin Pinion     |
| 7    | <a href="#">389387</a>  |                         |               | Shaft, Agitator       |
| 8    | 90369                   |                         | Not Available | Ring, Retaining (2)   |
| 9    | <a href="#">62677</a>   |                         |               | Retainer, Spring      |
| 10   | <a href="#">62676</a>   |                         |               | Spring, Agitator      |
| 11   | 63273                   | <a href="#">285509</a>  |               | Shaft, Agitator       |
| 12   | <a href="#">62619</a>   |                         |               | Washer, Agitator Gear |
| 13   | 62580                   | <a href="#">285206</a>  |               | Cam-Agitator          |
| 14   | 62581                   | <a href="#">285206</a>  |               | Cam-Agitator          |
| 15   | <a href="#">285509</a>  |                         |               | Shaft, Agitator       |
| 16   | <a href="#">62618</a>   |                         |               | Washer, Cam Thrust    |

|    |                         |                         |  |
|----|-------------------------|-------------------------|--|
| 17 | 16018                   | <a href="#">285205</a>  | Bearing  |
| 18 | 85529                   | <a href="#">285205</a>  | Bearing  |
| 19 | 389230                  | <a href="#">285515</a>  | Gearcase   |
| 21 | <a href="#">285352</a>  |                         | Seal Kit, Thrust Plug  |
| 22 | <a href="#">3351614</a> |                         | Screw, Gearcase Cover Mounting   |
| 23 | 3362552                 | <a href="#">285765</a>  | Ring-Retr  |
| 24 | 285735                  | <a href="#">285766</a>  | Washer Kit, Thrust   |
| 25 | 62570                   | <a href="#">285362</a>  | Gear and Pinon   |
| 26 | 388253                  | <a href="#">999516</a>  | Shelf-Glas   |
| 27 | 3349296                 | <a href="#">8546456</a> | Rack, Connecting   |
| 28 | <a href="#">62621</a>   |                         | Actuator, Shift  |
| 29 | <a href="#">388815</a>  |                         | Washer, Intermediate 1<br>3976263 Miscellaneous Parts<br>Bag 2 3976300 Washer, Inlet<br>Hose 3 3366913 Clamp, Hose |

