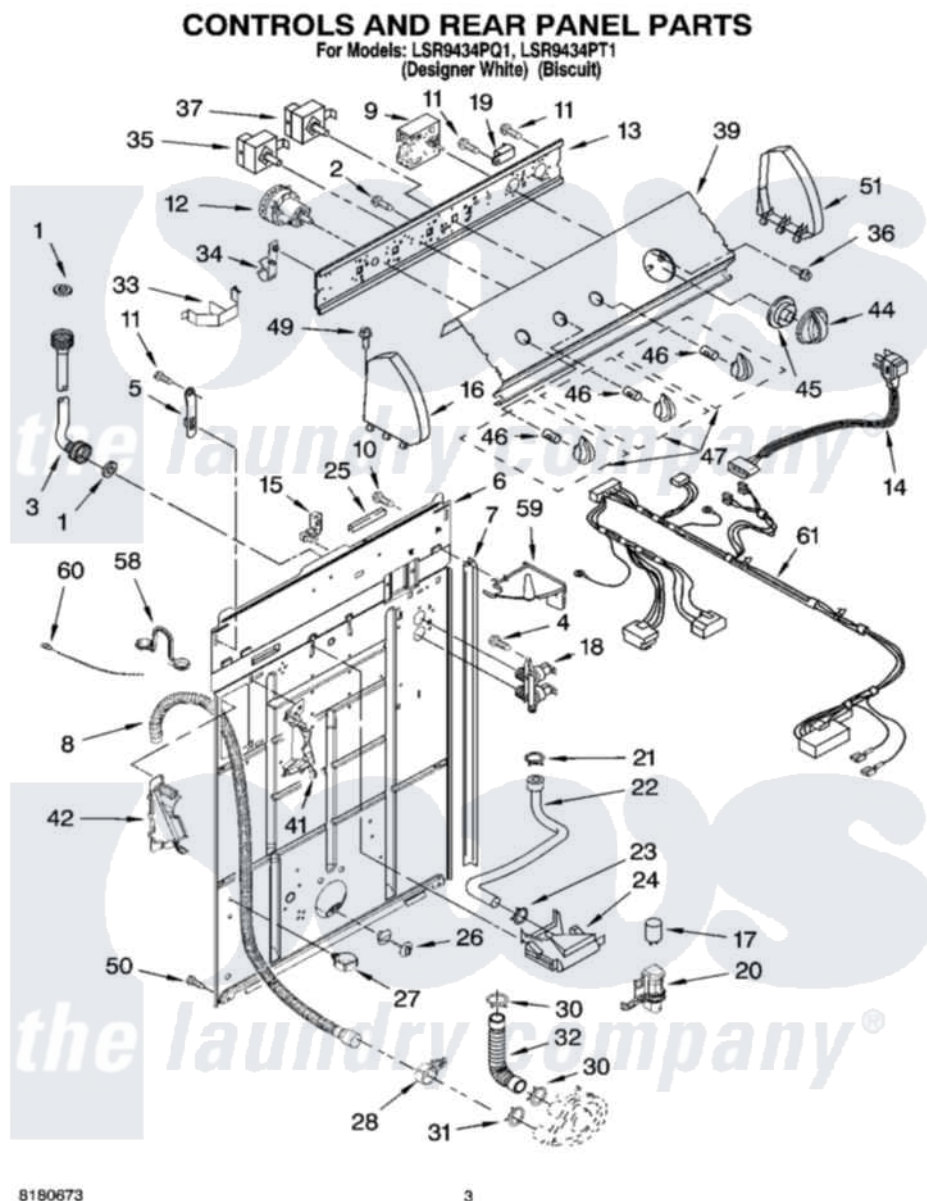


Whirlpool LSR9434PQ1 02 - CONTROLS AND REAR PANEL PARTS



Whirlpool Residential Whirlpool LSR9434PQ1 Washer Parts Parts Diagram 02 - CONTROLS AND REAR PANEL PARTS
Click on the part number to view part

Item	Original Part Number	Replaced By	Status	Part Description
1	3976300	16123		Washer Inlet-Hose Miscellaneous Parts Must be Ordered Separately.
2	3400073			Screw, Ground
3	8571377	89503		Hose-Inlet
"	8571378	89503		Hose-Inlet
4	9740848			Screw, Mixing Valve Mounting
5	8568314			Strap, Console
6	8318015			Panel, Rear
7	62747			Pad, Rear Panel
8	8559373	W10096921		Drain Hose Assembly
9	8541942			Timer, Control
10	3351614			Screw, Gearcase Cover Mounting
11	90767			Screw, 8A X 3/8 HeX Washer Head Tapping
12	3366847	W10337780		Switch-WL
13	3948608			Bracket, Control

14	661661	285800	Cord-Power
15	3952821	285777	Relief-Str
16	8271365	279962	Endcap
"	8271368	279965	Endcap
17	661606	8572717	Capacitor, Motor Start
18	3952164	285805	Valve-Inlet
19	694419		Mini-Buzzer
20	8318046		Clip, Capacitor
21	301958	596669	Clamp, Manifold
22	8541607	3357328	Hose, Vacuum Break
23	370450	596669	Clamp, Manifold
24	387606	3360977	Break-Vac
25	303294	3367669	Protector, Edge
26	8519200		Support, Rear Panel
27	8541667		Clamp, Hose
28	8541668		Clamp, Hose
30	3363366	616099	Clamp
31	8317496	285655	Clamp, Hose
32	3951449	285871	Hose
33	8055003		Clip, Harness And Pressure Switch
34	8317975		Restraint, Harness
35	661612	W10168256	Switch, Water Temperature
36	3400818		Screw, Timer Mounting
37	3949180	W10168257	Switch, Rotary
39	3956559		Panel, Console
"	3956560		Panel, Console
41	8541669		Bucket, Drain Hose
42	8541658		Bucket, Drain Hose
44	8544943		Knob, Timer
"	8544944		Knob, Timer
45	8544947		Dial, Timer
"	8544948		Dial, Timer
46	8536939		Clip, Knob
47	8544935		Knob, Control
"	8544936		Knob, Control
49	388326		Screw, 8-18 X 1.25
50	62863	3390631	Screw, 10-16 X 3/8
51	8271359	279962	Endcap
"	8271362	279965	Endcap
58	8541672	8577378	U-Bend, Drain Hose
59	8539874		Shield, Suds
60	3347868	W10339879	Tie, Cable
61	3957015		Wiring Harness