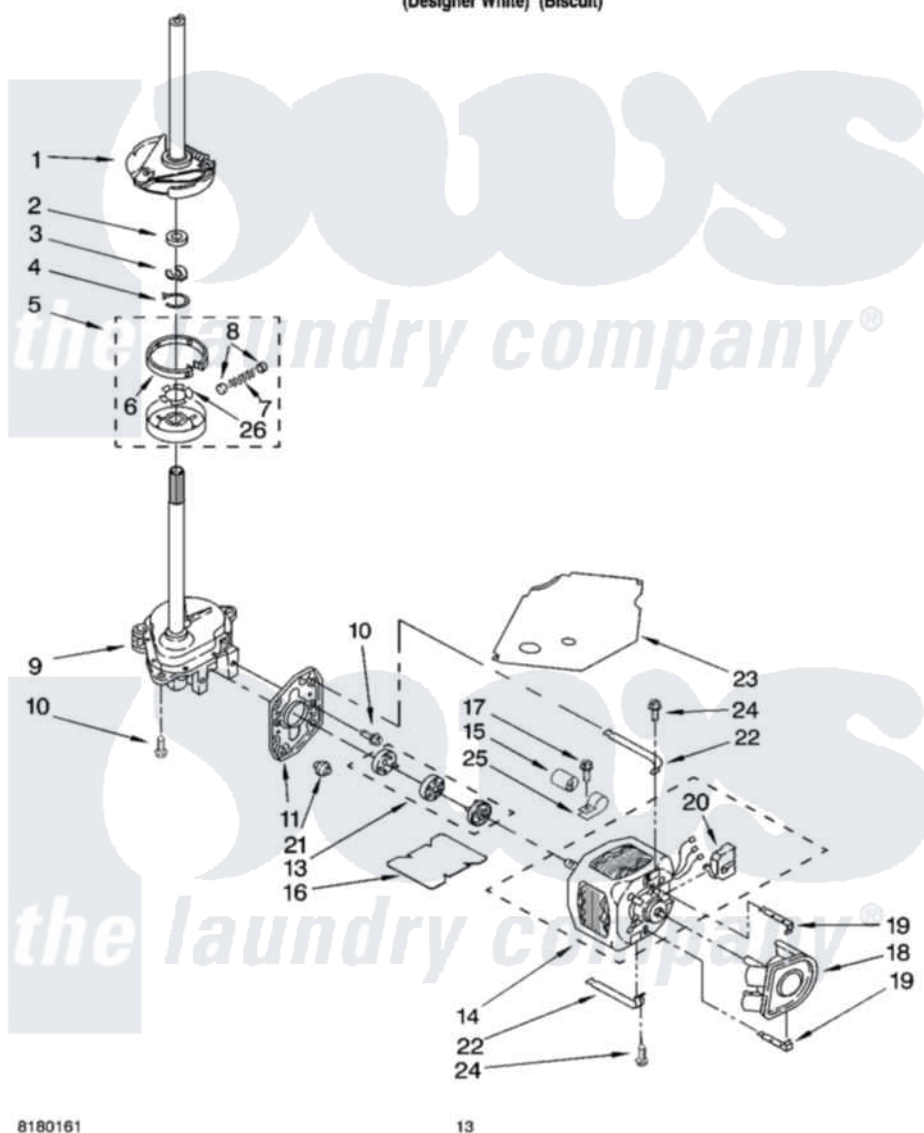


# Whirlpool LTE6234DQ3 08 - BRAKE, CLUTCH, GEARCASE, MOTOR AND PUMP PARTS

## BRAKE, CLUTCH, GEARCASE, MOTOR AND PUMP PARTS

For Models: LTE6234DQ3, LTE6234DT3  
(Designer White) (Biscuit)



8180161

13

Whirlpool [Residential Whirlpool LTE6234DQ3 Washer/Dryer Parts](#) Parts Diagram 08 - BRAKE, CLUTCH, GEARCASE, MOTOR AND PUMP PARTS  
Click on the part number to view part

Item	Original Part Number	Replaced By	Status	Part Description
1	388951	<a href="#">285792</a>		Basketdrive
2	<a href="#">63292</a>			Washer, Spin Tube Thrust
3	62697	<a href="#">W10080230</a>		Ring, Spin Tube Support
4	63283	<a href="#">285353</a>		Ring
5	3951311	<a href="#">285785</a>		Clutch
6	3951308	<a href="#">285790</a>		Lining
7	<a href="#">3946792</a>			Spring And Damper Assembly
8	<a href="#">62646</a>			Cap, Clutch Spring
9	3360630	<a href="#">3360629</a>		Gearcase
10	3357334	<a href="#">3400516</a>		Screw Anti-Rattle
11	<a href="#">62611</a>			Plate, Motor Mount To Gearcase
13	3364003	<a href="#">285753A</a>		Coupling
14	<a href="#">661600</a>			Motor, Main Drive
15	661606	<a href="#">8572717</a>		Capacitor, Motor Start

16	<a href="#">3946532</a>		Shield, Motor
17	62863	<a href="#">3390631</a>	Screw, 10-16 X 3/8
18	<a href="#">3363892</a>		Pump, Complete
19	62700	<a href="#">8546127</a>	Retainer, Pump
20	62850	<a href="#">8529896</a>	Switch, Main Drive Motor
21	<a href="#">62691</a>		Grommet, Motor
22	3349637	<a href="#">W10086010</a>	Retainer, Motor
23	<a href="#">3362089</a>		Shield, Tub To Motor
24	3387485	<a href="#">273556</a>	Screw, 10-16 X 5/8
25	<a href="#">357030</a>		Clamp, Capacitor
26	<a href="#">3355454</a>		Clip, Main Drive

