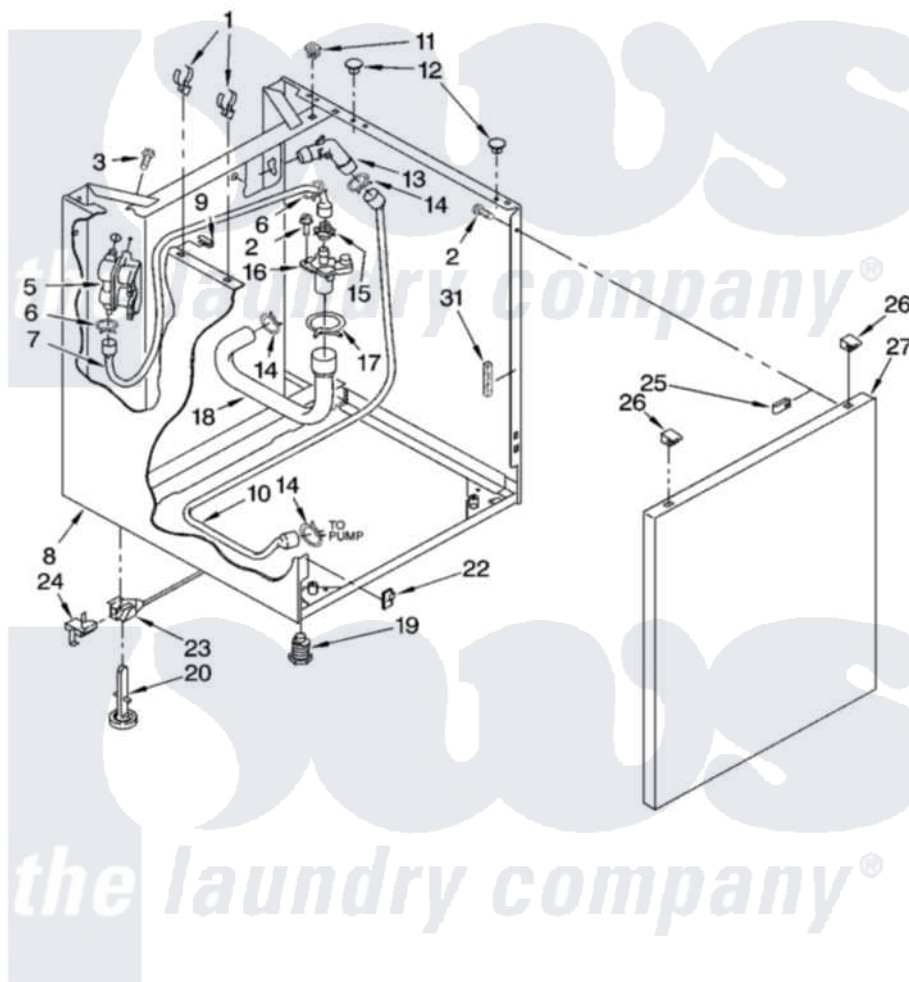


Whirlpool LTG5243DT5 07 - WASHER CABINET PARTS

WASHER CABINET PARTS

For Models: LTG5243DQ5, LTG5243DT5
(Designer White) (Biscuit)



8180782

9

Whirlpool [Residential Whirlpool LTG5243DT5 Washer/Dryer Parts](#) Parts Diagram 07 - WASHER CABINET PARTS

[Click on the part number to view part](#)

| Item | Original Part Number | Replaced By | Status | Part Description |
|------|-------------------------|------------------------|--------|------------------------------|
| 1 | 356746 | | | Clip, Condenser |
| 2 | 343641 | 681414 | | Screw, 10AB X 1/2 |
| 3 | 9740848 | | | Screw, Mixing Valve Mounting |
| 5 | 3952163 | 285805 | | Valve-Inlet |
| 6 | 370451 | 596669 | | Clamp, Manifold |
| 7 | 692699 | | | Hose, Water Inlet |
| 8 | 696013 | | | Cabinet |
| " | 3978594 | | | Cabinet |
| 9 | 3390046 | | | Protector, Edge |
| 10 | 696710 | | | Hose, Drain |
| 11 | 692400 | | | Nut, Push-In |
| 12 | 660975 | | | Plug, Top To Cabinet |
| 13 | 8557915 | | | Connector, Hose |
| 14 | 370445 | 285655 | | Clamp, Hose |
| 15 | 356471 | | | Cap, Siphon Break |
| 16 | 356363 | | | Siphon Break |

| | | | |
|----|-------------------------|---------------|--------------------------|
| 17 | 272861 | Not Available | Clamp, Hose |
| 18 | 696394 | | Hose, Water Inlet |
| 19 | 367594 | | Foot, Front |
| 20 | 358594 | | Foot, Rear |
| 22 | 3394083 | | Clip, Front Panel |
| 23 | 358652 | | Link, Leveling |
| 24 | 359364 | | Clip, Leveling Mechanism |
| 25 | 98234 | | Clip, U-Bend |
| 26 | 345670 | | Lock, Top |
| 27 | 692628 | | Panel, Front |
| " | 3978596 | | Panel, Front |
| 31 | 3350013 | | Foam |

Howes
the laundry company[®]

Howes
the laundry company[®]

Howes
the laundry company[®]