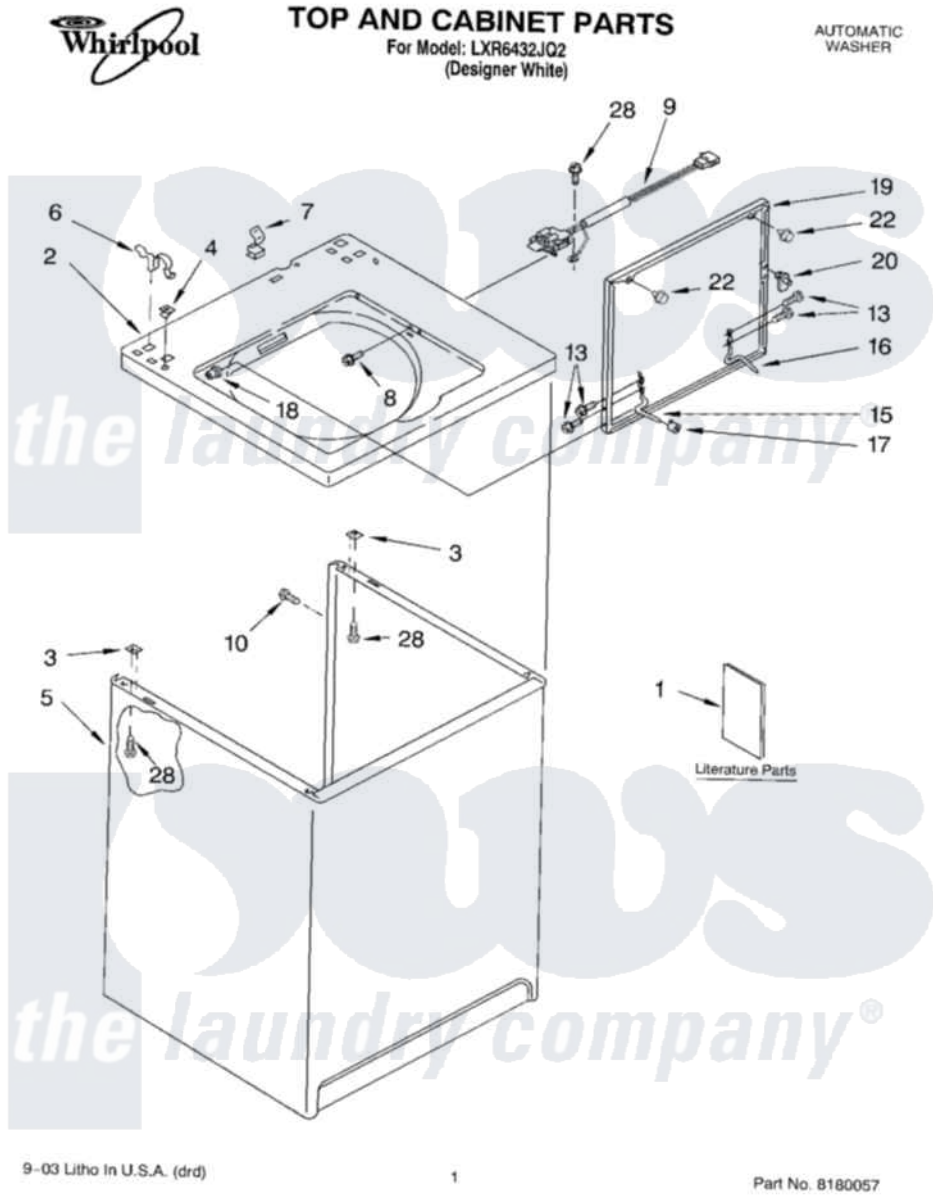


# Whirlpool LXR6432JQ2 01 - TOP AND CABINET PARTS



9-03 Litho In U.S.A. (drd)

1

Part No. 8180057

[Whirlpool Residential Whirlpool LXR6432JQ2 Washer Parts](#) Parts Diagram 01 - TOP AND CABINET PARTS  
 Click on the part number to view part

Item	Original Part Number	Replaced By	Status	Part Description
1	LIT3956025		Not Available	Literature Parts (Installation Instructions)
"	LIT3955901		Not Available	Literature Parts (Feature Sheet)
"	<a href="#">LIT3955869</a>			Literature Parts
"	LIT3956355		Not Available	Literature Parts (Energy Guide)
"	<a href="#">LIT8542052</a>			Literature Parts
"	N/A		Not Available	Following May Be Purchased DO-IT-YOURSELF REPAIR MANUALS
"	LIT4313896	<a href="#">4313896</a>		Do-It-Yourself Repair Manuals
2	8274315		Not Available	Top (White)
3	62750			Spacer, Cabinet To Top (4)
4	<a href="#">357213</a>			Nut, Push-In
5	<a href="#">63424</a>			Cabinet
6	<a href="#">62780</a>			Clip, Top And Cabinet And Rear Panel
7	<a href="#">90016</a>			Clip, Pressure Switch Hose

8	<a href="#">3356311</a>		Screw And Washer, Lid Switch Shield
9	3949237	<a href="#">3949247</a>	Switch-Lid
10	3357011	<a href="#">308685</a>	Side Trim )
13	3351355	<a href="#">W10119828</a>	Screw, Lid Hinge Mounting
15	<a href="#">54584</a>		Hinge, Lid
16	<a href="#">91770</a>		Hinge, Lid
17	<a href="#">19119</a>		Bumper, Lid Hinge
18	<a href="#">21258</a>		Bearing, Lid Hinge
19	3361411	<a href="#">W10193874</a>	Lid
20	<a href="#">358684</a>		Strike, Lid Switch
22	<a href="#">9724509</a>		Bumper, Lid
28	<a href="#">3390631</a>		Screw, 10-16 X 3/8

  
*the laundry company*<sup>®</sup>

  
*the laundry company*<sup>®</sup>

  
*the laundry company*<sup>®</sup>