

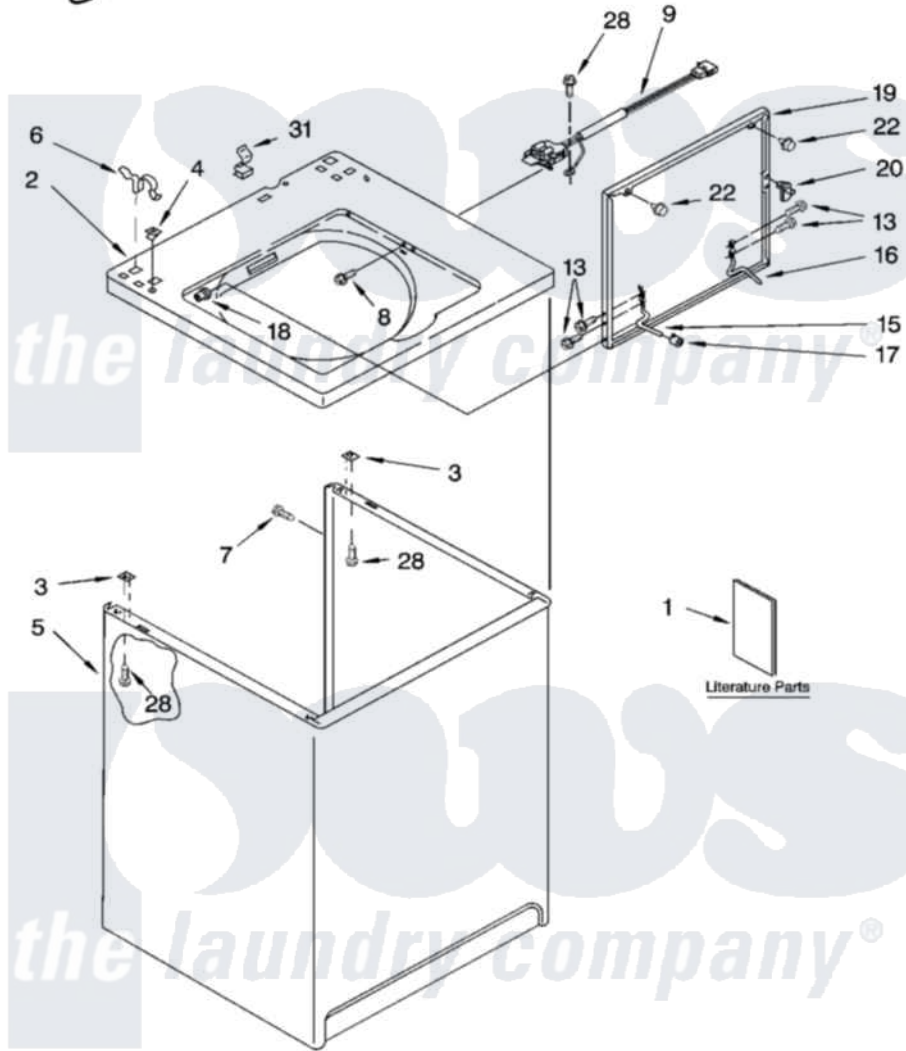
Whirlpool LXR7244JQ2 01 - TOP AND CABINET PARTS



TOP AND CABINET PARTS

For Models: LXR7244JQ2, LXR7244JT2
(Designer White) (Biscuit)

AUTOMATIC
WASHER



9-03 Litho In U.S.A. (drd)

1

Part No. 8180098

[Whirlpool Residential Whirlpool LXR7244JQ2 Washer Parts](#) Parts Diagram 01 - TOP AND CABINET PARTS

[Click on the part number to view part](#)

| Item | Original Part Number | Replaced By | Status | Part Description |
|------|----------------------------|-------------------------|---------------|--|
| 1 | LIT3956025 | | Not Available | Literature Parts (Installation Instructions) |
| " | LIT3955901 | | Not Available | Literature Parts (Feature Sheet) |
| " | LIT3955869 | | | Literature Parts |
| " | LIT3956350 | | Not Available | Literature Parts (Energy Guide) |
| " | LIT8541941 | | Not Available | Literature Parts (Wiring Diagram) |
| " | N/A | | Not Available | Following May Be Purchased |
| " | N/A | | Not Available | DO-IT-YOURSELF REPAIR MANUALS |
| " | LIT4313896 | 4313896 | | Do-It-Yourself Repair Manuals |
| 2 | 8274315 | | Not Available | Top (White) |
| " | 8274317 | | | Top |
| 3 | 62750 | | | Spacer, Cabinet To Top (4) |
| 4 | 357213 | | | Nut, Push-In |
| 5 | 63424 | | | Cabinet |
| " | 3954357 | | | Cabinet |

| | | | |
|----|-------------------------|---------------------------|--------------------------------------|
| 6 | 62780 | | Clip, Top And Cabinet And Rear Panel |
| 7 | 3357011 | 308685 | Side Trim) |
| 8 | 3356311 | | Screw And Washer, Lid Switch Shield |
| 9 | 3949237 | 3949247 | Switch-Lid |
| 13 | 3351355 | W10119828 | Screw, Lid Hinge Mounting |
| 15 | 54584 | | Hinge, Lid |
| 16 | 91770 | | Hinge, Lid |
| 17 | 19119 | | Bumper, Lid Hinge |
| 18 | 21258 | | Bearing, Lid Hinge |
| 19 | 3361411 | W10193874 | Lid |
| " | 3954457 | W10193875 | Lid |
| 20 | 358684 | | Strike, Lid Switch |
| 22 | 9724509 | | Bumper, Lid |
| 28 | 3390631 | | Screw, 10-16 X 3/8 |
| 31 | 90016 | | Clip, Pressure Switch Hose |

