

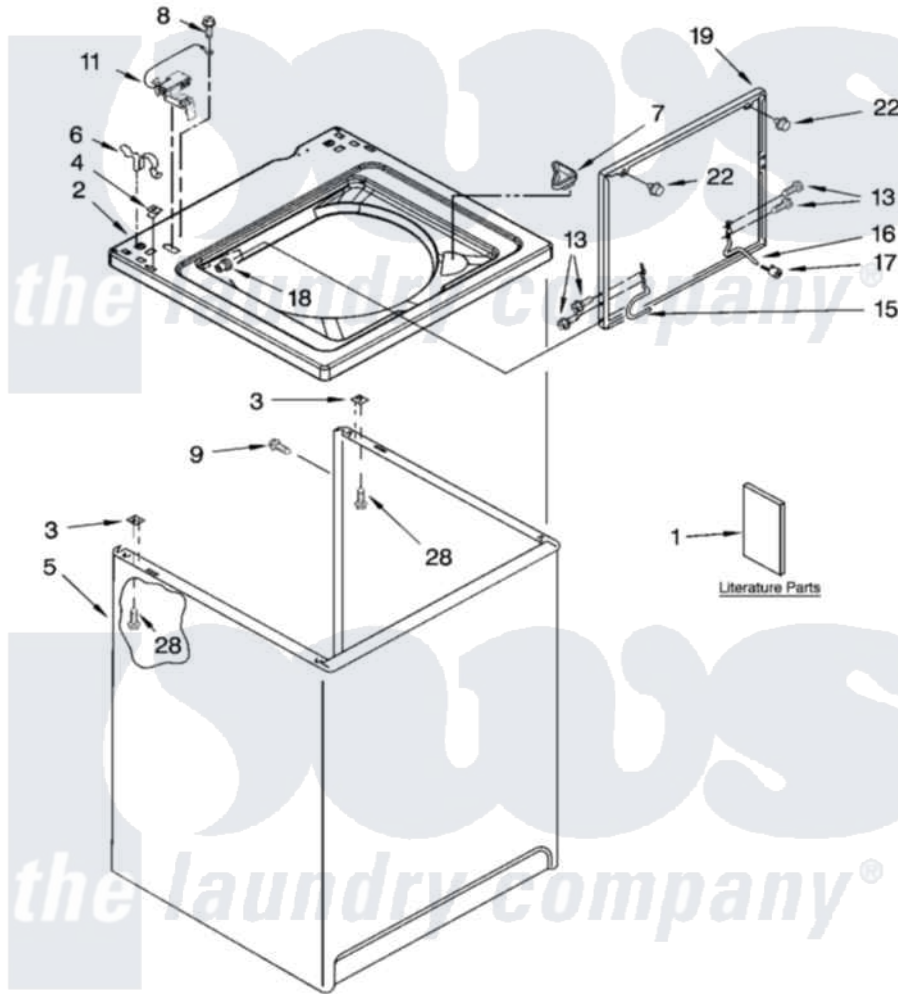
# Whirlpool RAS8333PQ0 01 - TOP AND CABINET PARTS



## TOP AND CABINET PARTS

For Model: RAS8333PQ0  
(Designer White)

AUTOMATIC  
WASHER



04-04 Litho in U.S.A. (drd)

1

Part No. 8180324

[Whirlpool Residential Whirlpool RAS8333PQ0 Washer Parts](#) Parts Diagram 01 - TOP AND CABINET PARTS  
Click on the part number to view part

Item	Original Part Number	Replaced By	Status	Part Description
1	LIT3956025		Not Available	Literature Parts (Installation Instructions)
"	LIT3955913		Not Available	Feature Sheet
"	<a href="#">LIT3955872</a>			Literature Parts
"	LIT3956323		Not Available	Literature Parts (Energy Guide)
"	LIT8546687		Not Available	Literature Parts (Wiring Diagram)
2	<a href="#">8318064</a>			Top
3	62750			Spacer, Cabinet To Top (4)
4	<a href="#">357213</a>			Nut, Push-In
5	<a href="#">63424</a>			Cabinet
6	<a href="#">62780</a>			Clip, Top And Cabinet And Rear Panel
7	<a href="#">3362952</a>			Dispenser, Bleach
8	<a href="#">3351614</a>			Screw, Gearcase Cover Mounting
9	3357011	<a href="#">308685</a>		Side Trim )
11	<a href="#">8318084</a>			Switch, Lid

13	3351355	<a href="#">W10119828</a>	Screw, Lid Hinge Mounting
15	<a href="#">8318088</a>		Hinge, Lid
16	<a href="#">54583</a>		Hinge, Lid
17	<a href="#">19119</a>		Bumper, Lid Hinge
18	<a href="#">21258</a>		Bearing, Lid Hinge
19	8542382	<a href="#">W10193857</a>	Lid
22	<a href="#">9724509</a>		Bumper, Lid
28	<a href="#">3390631</a>		Screw, 10-16 X 3/8

