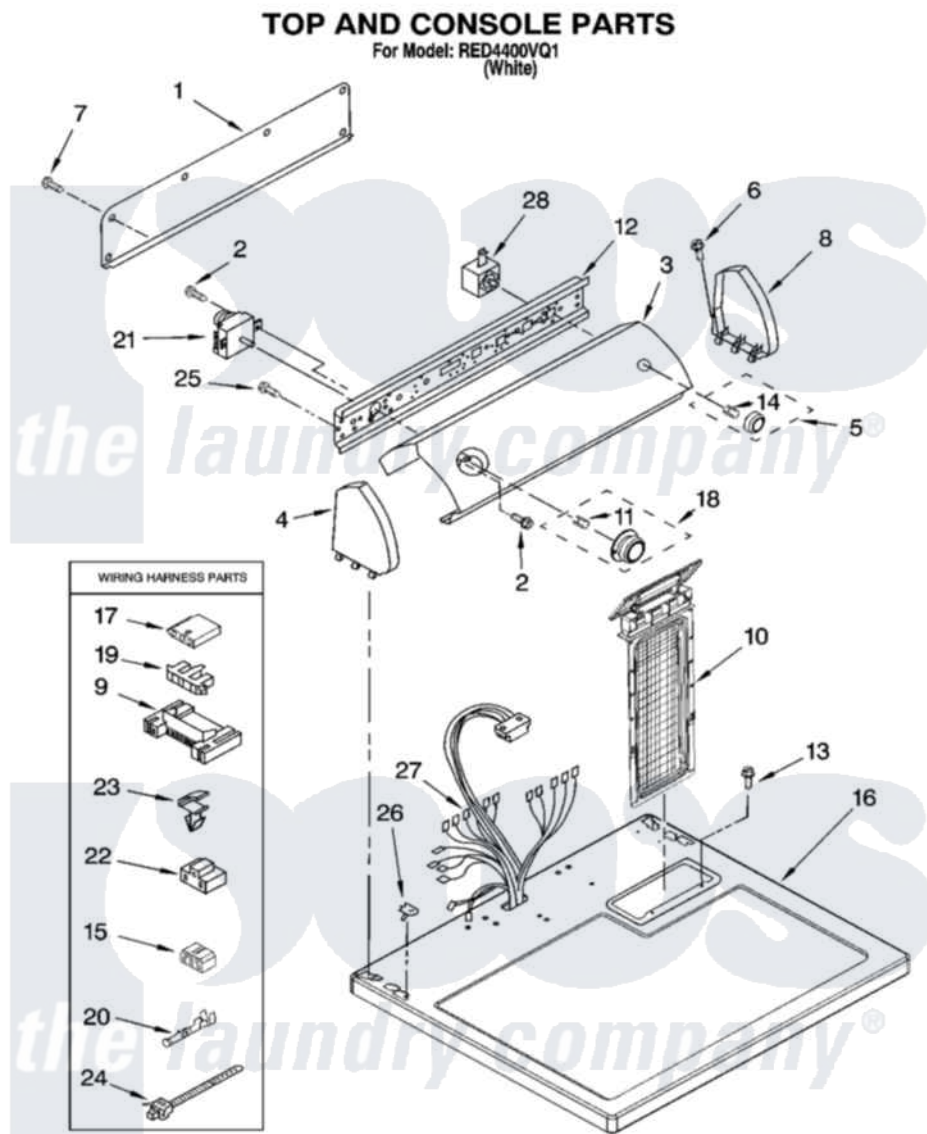


# Whirlpool RED4400VQ1 02 - TOP AND CONSOLE PARTS



Whirlpool Residential Whirlpool RED4400VQ1 Dryer Parts Parts Diagram 02 - TOP AND CONSOLE PARTS  
Click on the part number to view part

Item	Original Part Number	Replaced By	Status	Part Description
1	<a href="#">8274261</a>			Do-It-Yourself Repair Manuals
2	8533951	<a href="#">3400859</a>		Screw, Grounding
3	<a href="#">W10205688</a>			Panel, Control
4	8274437	<a href="#">279960</a>		Endcap
5	<a href="#">8538959</a>			Knob, Push-To-Start
6	<a href="#">388326</a>			Screw, 8-18 X 1.25
7	<a href="#">693995</a>			Screw, Hex Head
8	8274434	<a href="#">279960</a>		Endcap
9	<a href="#">3395683</a>			Receptacle, Multi-Terminal
10	<a href="#">8558463</a>			HANDLE AND LINT SCREEN ASSEMBLY
11	<a href="#">688805</a>			Clip, Spring Knob
12	<a href="#">8271418</a>			Bracket, Control
13	688983	<a href="#">487240</a>		Screw, For Mtg. Service Capacitor
14	<a href="#">8536939</a>			Clip, Knob
15	<a href="#">3347243</a>			Block, Disconnect

16	8557930	<a href="#">8563985</a>	Top
17	<a href="#">3936144</a>		Do-It-Yourself Repair Manuals
18	<a href="#">8538953</a>		Timer Knob Assembly
19	<a href="#">3397269</a>		Connector, Timer
20	<a href="#">94614</a>		Terminal
21	<a href="#">W10185972</a>		Timer, 60 Hz
22	<a href="#">3401144</a>		Connector
23	<a href="#">3394427</a>		Clip-Harness
24	<a href="#">3391249</a>		Cable Tie, Push Mount
25	8533971	<a href="#">90767</a>	Screw, 8A X 3/8 HeX Washer Head Tapping
26	<a href="#">357213</a>		Nut, Push-In
27	W10186068	<a href="#">W10186166</a>	Harness, Wiring
28	<a href="#">3977456</a>		Switch, Push-To-Start

*the laundry company*<sup>®</sup>

*the laundry company*<sup>®</sup>

*the laundry company*<sup>®</sup>