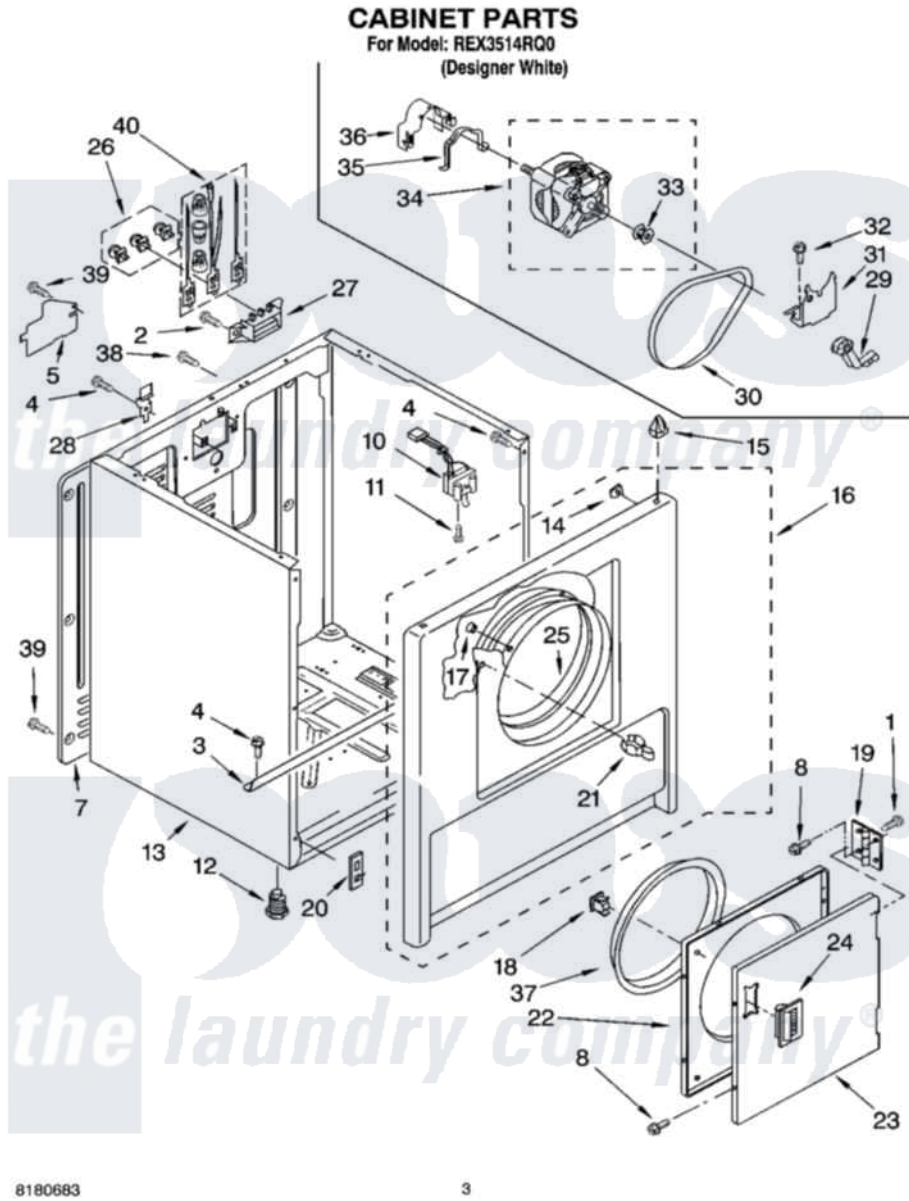


# Whirlpool REX3514RQ0 02 - CABINET PARTS



8180683

3

Whirlpool Residential Whirlpool REX3514RQ0 Dryer Parts Parts Diagram 02 - CABINET PARTS  
Click on the part number to view part

| Item | Original Part Number    | Replaced By             | Status | Part Description      |
|------|-------------------------|-------------------------|--------|-----------------------|
| 1    | 342055                  | <a href="#">488627</a>  |        | Screw                 |
| 2    | 3393008                 | <a href="#">308685</a>  |        | Side Trim )           |
| 3    | <a href="#">8541400</a> |                         |        | Bracket, Cabinet      |
| 4    | 343641                  | <a href="#">681414</a>  |        | Screw, 10AB X 1/2     |
| 5    | <a href="#">3396795</a> |                         |        | Cover, Terminal Block |
| 7    | 3396807                 | <a href="#">280040</a>  |        | Panel-Rear            |
| 8    | <a href="#">694091</a>  |                         |        | Trim, Side Right Hand |
| 10   | <a href="#">3406102</a> |                         |        | Door Switch Assembly  |
| 11   | 697773                  | <a href="#">3395530</a> |        | Screw                 |
| 12   | 3392100                 | <a href="#">49621</a>   |        | Feet-Leveling         |
| "    | <a href="#">279810</a>  |                         |        | Foot-Optional         |
| 13   | 8530603                 | <a href="#">8533643</a> |        | Cabinet               |
| 14   | <a href="#">98234</a>   |                         |        | Clip, U-Bend          |
| 15   | 690363                  | <a href="#">18776</a>   |        | Lock, Front Top       |
| 16   | 693197                  | <a href="#">280062</a>  |        | Panel                 |
| 17   | 685203                  | <a href="#">279220</a>  |        | Clip                  |

|    |                         |                           |                                        |
|----|-------------------------|---------------------------|----------------------------------------|
| 18 | <a href="#">3389441</a> |                           | Door Catch Assembly                    |
| 19 | <a href="#">348023</a>  |                           | Hinge And Pin Assembly                 |
| 20 | <a href="#">3394083</a> |                           | Clip, Front Panel                      |
| 21 | 696144                  | <a href="#">279570</a>    | Latch                                  |
| 22 | 695656                  | <a href="#">280077</a>    | Door                                   |
| 23 | <a href="#">348205</a>  |                           | Door, Front                            |
| 24 | <a href="#">686711</a>  |                           | Handle, Door                           |
| 25 | 8066123                 | <a href="#">279264</a>    | Air Channel Box                        |
| 26 | <a href="#">279393</a>  |                           | Terminal Block Screw Kit               |
| 27 | <a href="#">3397659</a> |                           | Block, Terminal                        |
| 28 | 238088                  | <a href="#">8066217</a>   | Hinge, Top                             |
| 29 | <a href="#">691366</a>  |                           | Idler And Pulley Assembly              |
| 30 | 8066065                 | <a href="#">341241</a>    | Belt                                   |
| 31 | <a href="#">348780</a>  |                           | Base, Motor                            |
| 32 | <a href="#">3400500</a> |                           | Bolt, 3405245 5/16-18 X 3/4            |
| 33 | 3394341                 | <a href="#">W10299847</a> | Pulley-Motor                           |
| 34 | 8066206                 | <a href="#">279827</a>    | Motor-Drve                             |
| 35 | <a href="#">660658</a>  |                           | Clamp, Motor Mounting<br>343481 685441 |
| 36 | <a href="#">3404162</a> |                           | Clamp, Motor                           |
| 37 | <a href="#">3390734</a> |                           | Seal, Door                             |
| 38 | 697776                  | <a href="#">4331106</a>   | Screw, No.10-32 X 7/16                 |
| 39 | <a href="#">693995</a>  |                           | Screw, Hex Head                        |
| 40 | <a href="#">279318</a>  |                           | Terminal Tinned And Brass<br>Panel     |

