

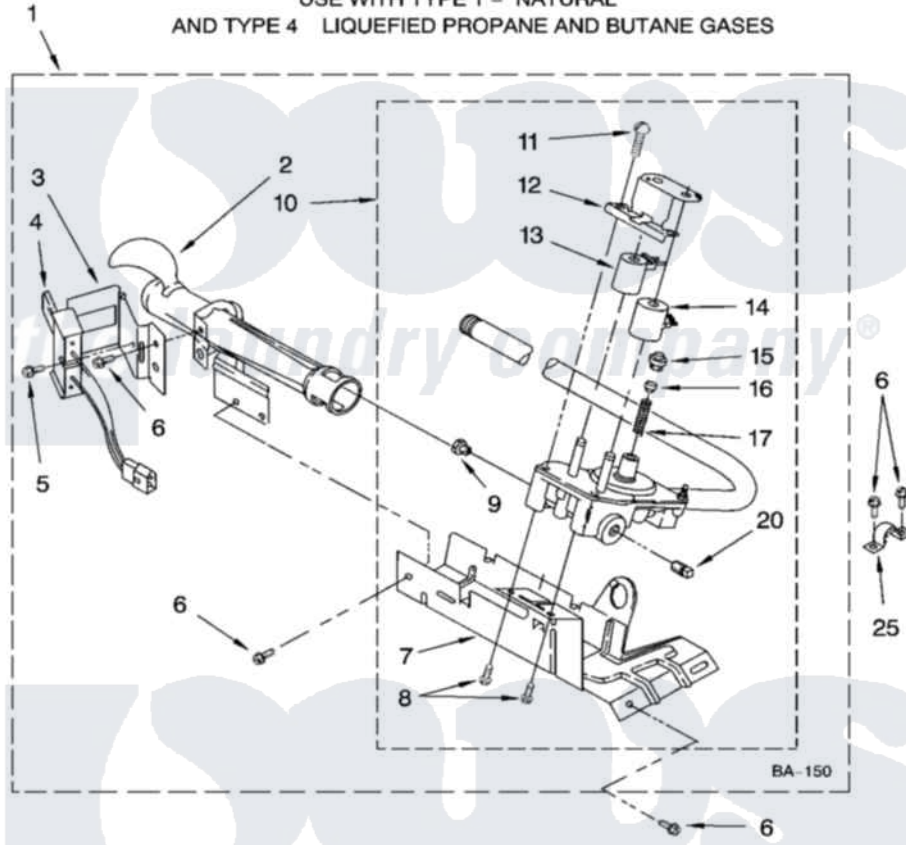
Whirlpool RGD4100SQ0 03 - 8318272 BURNER ASSEMBLY

8318272 BURNER ASSEMBLY

For Model: RGD4100SQ0

(Designer White)

USE WITH TYPE 1 - NATURAL
AND TYPE 4 LIQUEFIED PROPANE AND BUTANE GASES



8181370

5

Whirlpool Residential Whirlpool RGD4100SQ0 Dryer Parts Parts Diagram 03 - 8318272 BURNER ASSEMBLY
Click on the part number to view part

Item	Original Part Number	Replaced By	Status	Part Description
1	8318272	W10465748		Burner-Gas
2	688617	693140		Burner
3	694298			Bracket, Ignitor
4	686590	279311		Ignitor
5	3393909			Screw, 8-32 X 7/8
6	343641	681414		Screw, 10AB X 1/2
7	693986			Base, Burner
8	3387057			Screw, 10-16 X 1/2 Orifice, Burner
9	234826			Orifice, Burner Type 1
"	229742			Orifice, Burner
"	234868			Orifice, Burner
10	8318277	W10337269		Valve-Gas
11	694421			Screw, Bracket Mounting
12	694538			Bracket, Shunt
13	694540			Coil, 60 Hz
14	694539			Coil, 60 Hz

15	694424		Leak, Limiter
16	694423		Screw, Regulator Adjustment
17	694422		Spring, Regulator
20	239822	W10295523	Plug, Pipe
25	341029		Clamp, Pipe Door Spring
"	BLANK	Not Available	Following Parts Not Illustrated
"	694572	49572A	Conversion Kit To Type L.p.g.f

