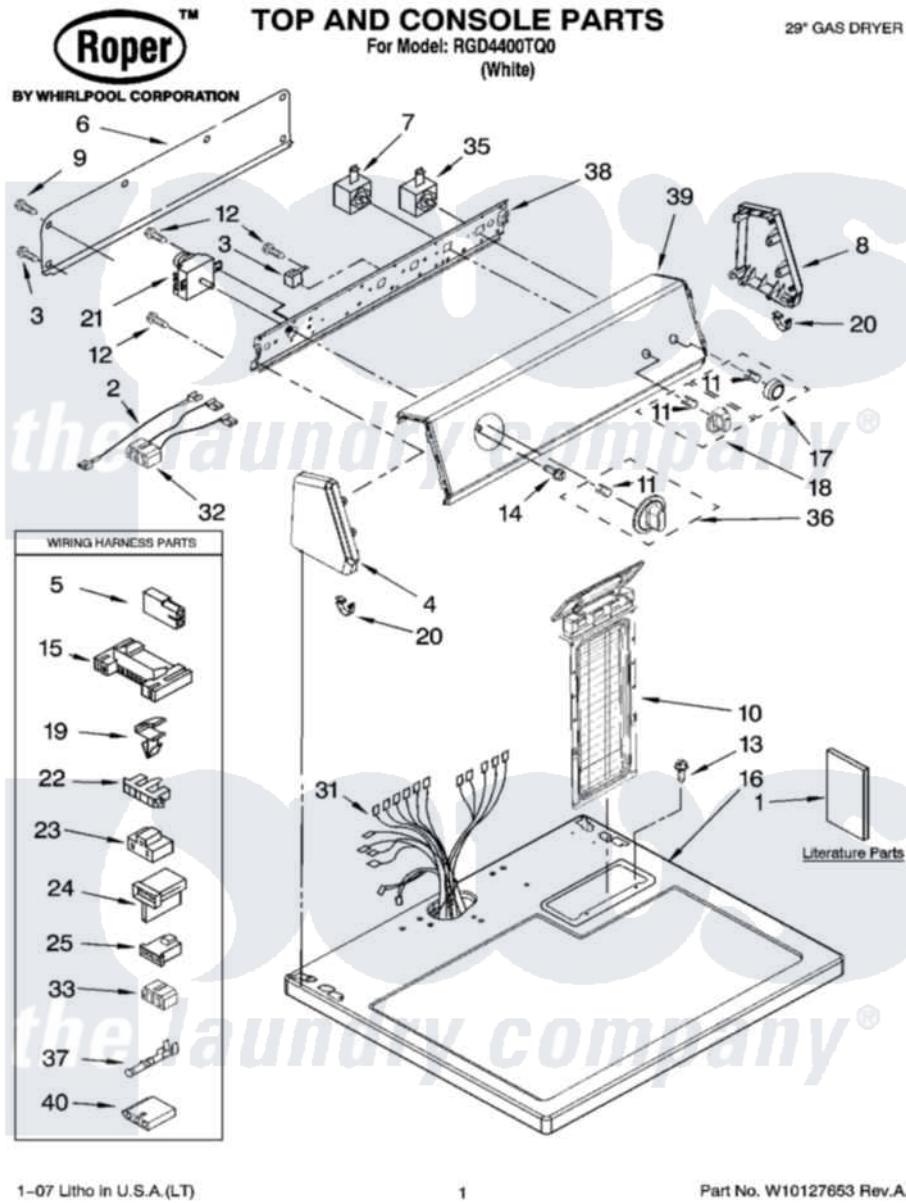


# Whirlpool RGD4400TQ0 01 - TOP AND CONSOLE PARTS



1-07 Litho in U.S.A.(LT)

1

Part No. W10127653 Rev.A.

Whirlpool [Residential Whirlpool RGD4400TQ0 Dryer Parts](#) Parts Diagram 01 - TOP AND CONSOLE PARTS  
 Click on the part number to view part

| Item | Original Part Number    | Replaced By             | Status        | Part Description                                               |
|------|-------------------------|-------------------------|---------------|----------------------------------------------------------------|
| 1    | W10088971               |                         | Not Available | Instructions, Installation                                     |
| "    | W10088772               |                         | Not Available | Guide, Use & Care                                              |
| "    | 8576817                 |                         | Not Available | Wiring Diagram                                                 |
| "    | W10089175               |                         | Not Available | Sheet, Cycle Feature                                           |
| "    | BLANK                   |                         | Not Available | Following May Be Purchased<br>DO-IT-YOURSELF REPAIR<br>MANUALS |
| "    | 677818                  |                         | Not Available | Manual, Do-It- Yourself Repair<br>(Dryer)                      |
| 2    | <a href="#">3401684</a> |                         |               | Jumper, Wire                                                   |
| 3    | <a href="#">694419</a>  |                         |               | Mini-Buzzer                                                    |
| 4    | 8579674                 | <a href="#">8579686</a> |               | Endcap                                                         |
| 5    | <a href="#">717252</a>  |                         |               | Receptacle, Terminal                                           |
| 6    | <a href="#">8274261</a> |                         |               | Do-It-Yourself Repair Manuals                                  |
| 7    | <a href="#">3399639</a> |                         |               | Switch, Rotary Temperature                                     |
| 8    | 8579673                 | <a href="#">8579685</a> |               | Endcap                                                         |
| 9    | <a href="#">693995</a>  |                         |               | Screw, Hex Head                                                |

|    |                           |                         |                                         |
|----|---------------------------|-------------------------|-----------------------------------------|
| 10 | <a href="#">8558463</a>   |                         | HANdle And Lint Screen Assembly         |
| 11 | <a href="#">8536939</a>   |                         | Clip, Knob                              |
| 12 | 8533971                   | <a href="#">90767</a>   | Screw, 8A X 3/8 HeX Washer Head Tapping |
| 13 | 688983                    | <a href="#">487240</a>  | Screw, For Mtg. Service Capacitor       |
| 14 | 8533951                   | <a href="#">3400859</a> | Screw, Grounding                        |
| 15 | <a href="#">3395683</a>   |                         | Receptacle, Multi-Terminal              |
| 16 | 8559800                   | <a href="#">8563663</a> | Top                                     |
| 17 | <a href="#">W10110066</a> |                         | Knob, Push-To-Start                     |
| 18 | <a href="#">W10110063</a> |                         | Knob, Control                           |
| 19 | <a href="#">3394427</a>   |                         | Clip-Harness                            |
| 20 | <a href="#">8312709</a>   |                         | Clip-Console                            |
| 21 | <a href="#">8299765</a>   |                         | Timer Assembly                          |
| 22 | <a href="#">3397269</a>   |                         | Connector, Timer                        |
| 23 | <a href="#">3401144</a>   |                         | Connector                               |
| 24 | <a href="#">3403499</a>   |                         | Connector, 2-Postion                    |
| 25 | <a href="#">3403498</a>   |                         | Connector, 3-Position                   |
| 31 | <a href="#">8299878</a>   |                         | Harness, Wiring                         |
| 32 | <a href="#">8539893</a>   |                         | Wire, Jumper                            |
| 33 | <a href="#">3347243</a>   |                         | Block, Disconnect                       |
| 35 | <a href="#">3398095</a>   |                         | Switch, Push-To-Start                   |
| 36 | <a href="#">W10110064</a> |                         | Timer Knob Assembly                     |
| 37 | <a href="#">94614</a>     |                         | Terminal                                |
| 38 | <a href="#">8579672</a>   |                         | Bracket, Control                        |
| 39 | <a href="#">W10086700</a> |                         | Panel, Control                          |
| 40 | <a href="#">3936144</a>   |                         | Do-It-Yourself Repair Manuals           |

*the laundry company*<sup>®</sup>

*the laundry company*<sup>®</sup>