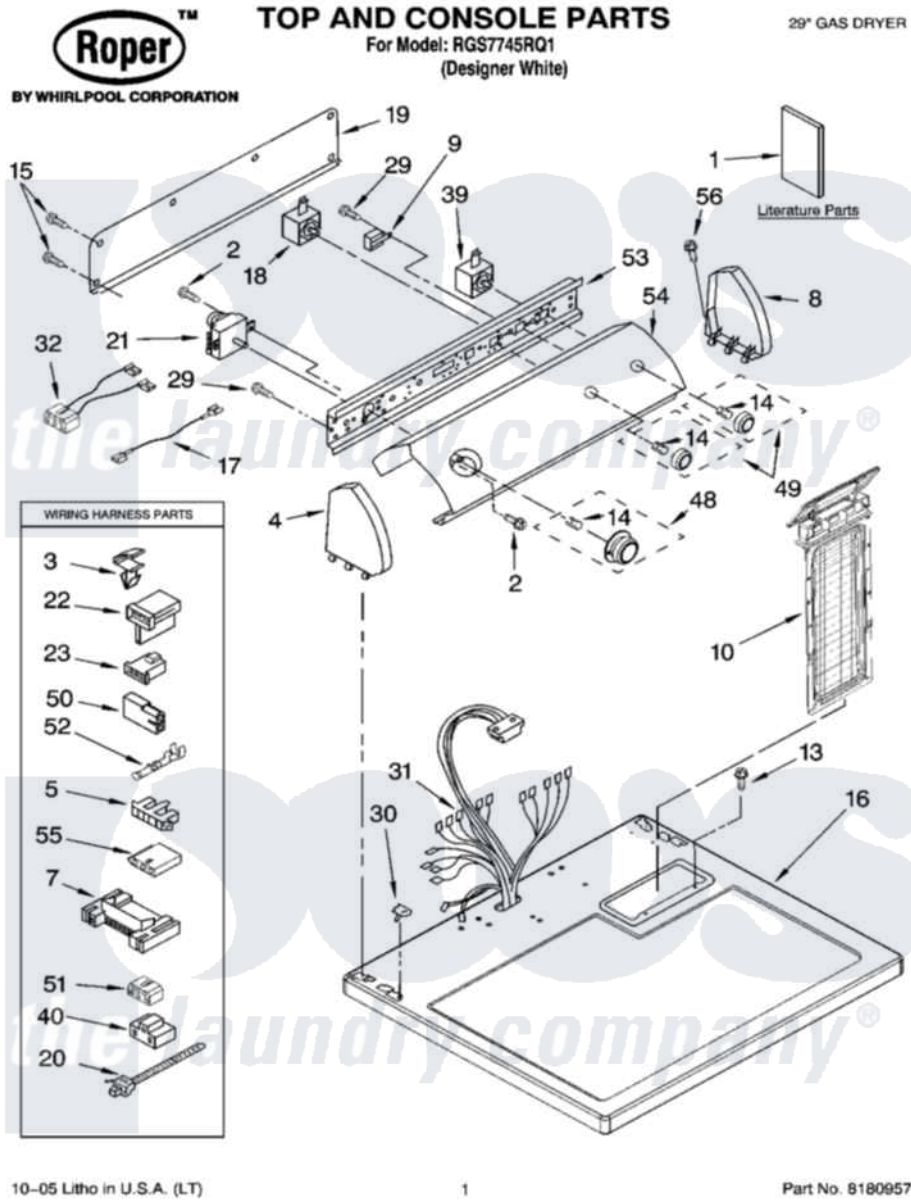


# Whirlpool RGS7745RQ1 01 - TOP AND CONSOLE PARTS



10-05 Litho in U.S.A. (LT)

1

Part No. 8180957

Whirlpool Residential Whirlpool RGS7745RQ1 Dryer Parts Parts Diagram 01 - TOP AND CONSOLE PARTS  
 Click on the part number to view part

Item	Original Part Number	Replaced By	Status	Part Description
1	8562589		Not Available	Instructions, Installation
"	8533780		Not Available	Sheet, Cycle Feature
"	8578192		Not Available	Guide, Use & Care
"	8528190		Not Available	Wiring Diagram
"	N/A		Not Available	Following May Be Purchased
"	N/A		Not Available	DO-IT-YOURSELF REPAIR MANUALS
"	677818		Not Available	Manual, Do-It- Yourself Repair (Dryer)
2	8533951	<a href="#">3400859</a>		Screw, Grounding
3	<a href="#">3394427</a>			Clip-Harness
4	8274437	<a href="#">279960</a>		Endcap
5	<a href="#">3397269</a>			Connector, Timer
7	<a href="#">3395683</a>			Receptacle, Multi-Terminal
8	8274434	<a href="#">279960</a>		Endcap
9	<a href="#">694419</a>			Mini-Buzzer
10	<a href="#">8558463</a>			HANdle And Lint Screen

10	<a href="#">9530400</a>		Assembly
13	688983	<a href="#">487240</a>	Screw, For Mtg. Service Capacitor
14	<a href="#">8536939</a>		Clip, Knob
15	<a href="#">693995</a>		Screw, Hex Head
16	8557930	<a href="#">8563985</a>	Top
17	<a href="#">3401684</a>		Jumper, Wire
18	<a href="#">3399639</a>		Switch, Rotary Temperature
19	<a href="#">8274261</a>		Do-It-Yourself Repair Manuals
20	<a href="#">3391249</a>		Cable Tie, Push Mount
21	<a href="#">8299765</a>		Timer Assembly
22	<a href="#">3403499</a>		Connector, 2-Position
23	<a href="#">3403498</a>		Connector, 3-Position
29	8533971	<a href="#">90767</a>	Screw, 8A X 3/8 HeX Washer Head Tapping
30	<a href="#">357213</a>		Nut, Push-In
31	<a href="#">8299878</a>		Harness, Wiring
32	<a href="#">8539893</a>		Wire, Jumper
39	<a href="#">3398095</a>		Switch, Push-To-Start
40	<a href="#">3401144</a>		Connector
48	<a href="#">3957383</a>		Timer Knob Assembly
49	<a href="#">8557460</a>		Knob, Control
50	<a href="#">717252</a>		Receptacle, Terminal
51	<a href="#">3347243</a>		Block, Disconnect
52	<a href="#">94614</a>		Terminal
53	<a href="#">8271418</a>		Bracket, Control
54	<a href="#">8573819</a>		Panel, Control
55	<a href="#">3936144</a>		Do-It-Yourself Repair Manuals
56	<a href="#">388326</a>		Screw, 8-18 X 1.25

*the laundry company*<sup>®</sup>

*the laundry company*<sup>®</sup>