

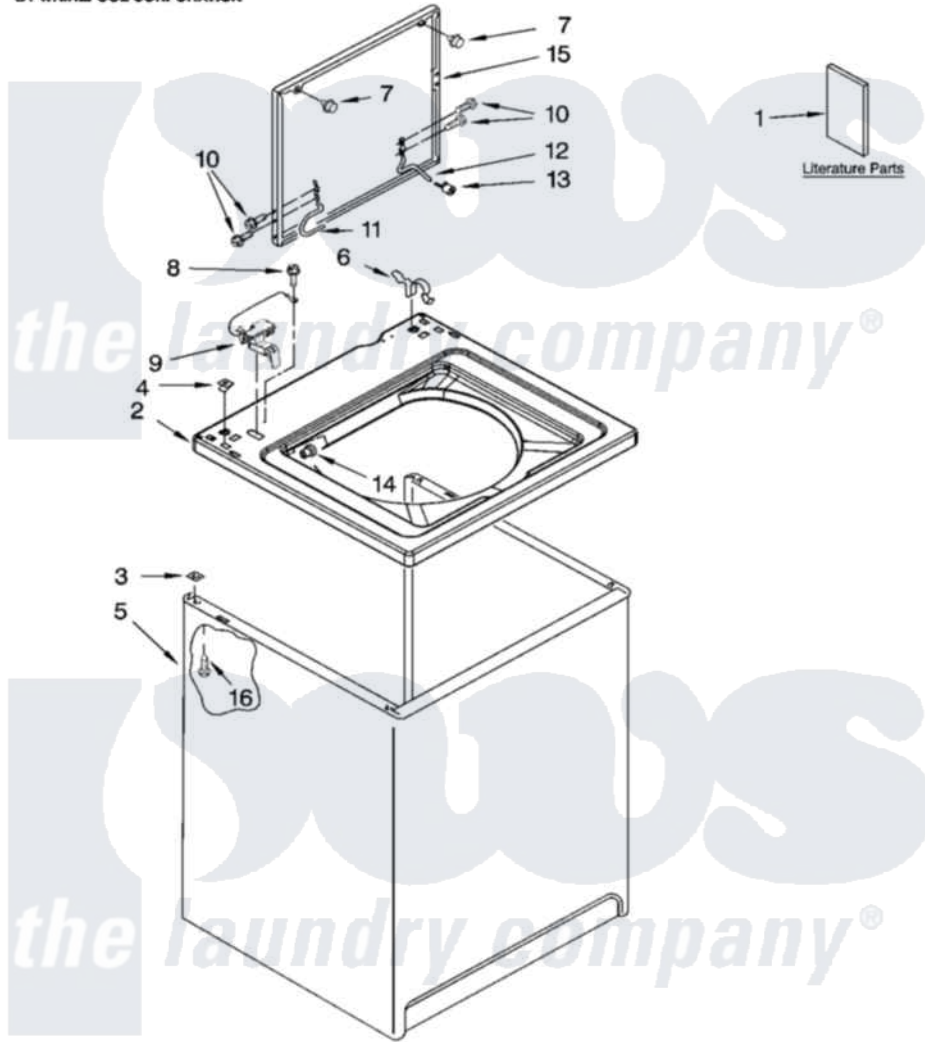
# Whirlpool RTW4100SQ3 01 - TOP AND CABINET PARTS



## TOP AND CABINET PARTS

For Model: RTW4100SQ3  
(White)

AUTOMATIC  
WASHER



10-08 Litho In U.S.A. (dtd) (psw)

1

Part No. W10231535 Rev. A

Whirlpool [Residential Whirlpool RTW4100SQ3 Washer Parts](#) Parts Diagram 01 - TOP AND CABINET PARTS

[Click on the part number to view part](#)

Item	Original Part Number	Replaced By	Status	Part Description
1	W10200331		Not Available	Installation Instructions (English/French)
"	W10200662		Not Available	Installation Instructions (Spanish)
"	W10200824		Not Available	USE & CARE GUIDE
"	3957877		Not Available	FEATURE SHEET
"	W10165603		Not Available	Energy Guide
"	8578915		Not Available	Wiring Diagram
2	<a href="#">8318068</a>			Top
3	62750			Spacer, Cabinet To Top (4)
4	<a href="#">357213</a>			Nut, Push-In
5	<a href="#">63424</a>			Cabinet
6	<a href="#">62780</a>			Clip, Top And Cabinet And Rear Panel
7	<a href="#">9724509</a>			Bumper, Lid
8	<a href="#">3351614</a>			Screw, Gearcase Cover Mounting
9	<a href="#">8318084</a>			Switch, Lid

10	W10119872	<a href="#">W10119828</a>	Screw, Lid Hinge Mounting
11	<a href="#">8318088</a>		Hinge, Lid
12	<a href="#">54583</a>		Hinge, Lid
13	<a href="#">19119</a>		Bumper, Lid Hinge
14	<a href="#">21258</a>		Bearing, Lid Hinge
15	8541774	<a href="#">W10193857</a>	Lid
16	<a href="#">3390631</a>		Screw, 10-16 X 3/8

