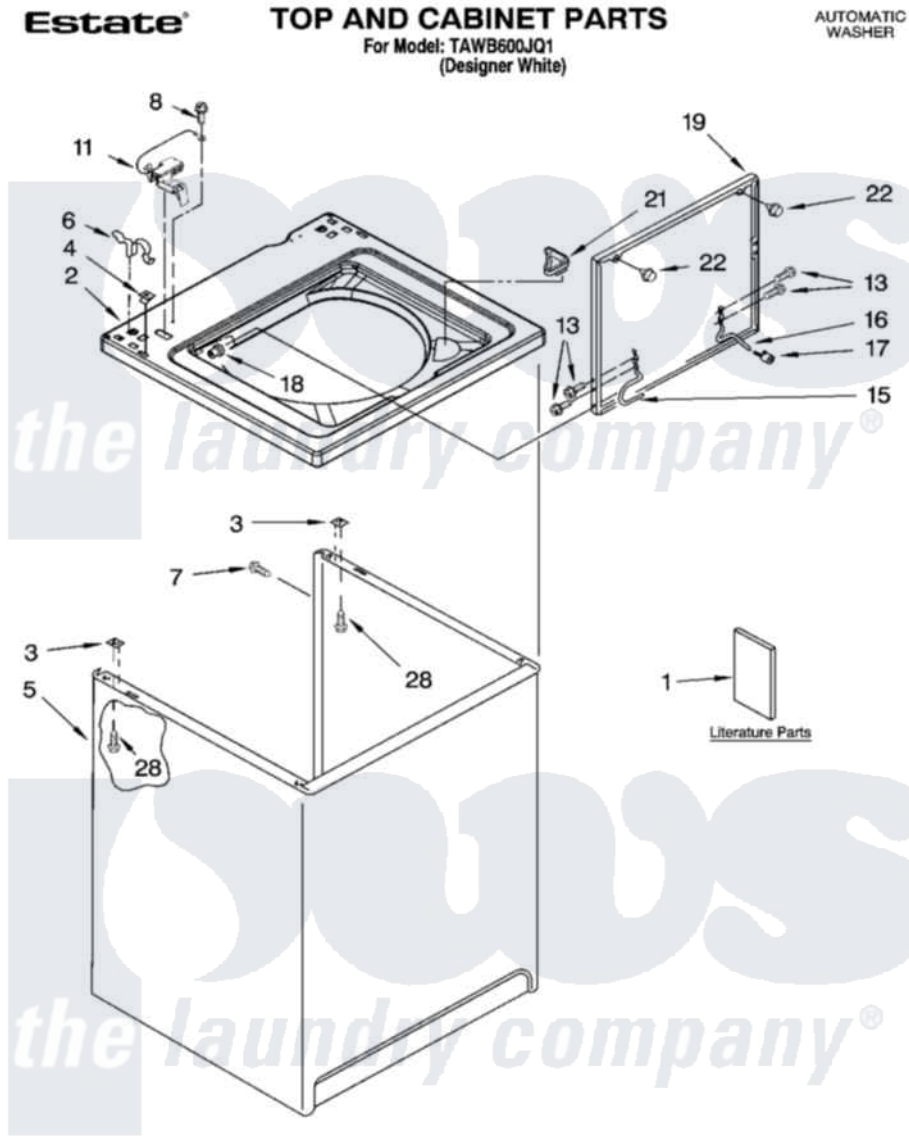


# Whirlpool TAWB600JQ1 01 - TOP AND CABINET PARTS



9-03 Litho in U.S.A. (dtd)

1

Part No. 8180120

Whirlpool [Residential Whirlpool TAWB600JQ1 Washer Parts](#) Parts Diagram 01 - TOP AND CABINET PARTS  
 Click on the part number to view part

Item	Original Part Number	Replaced By	Status	Part Description
1	LIT3956025		Not Available	Literature Parts (Installation Instructions)
"	LIT3955914		Not Available	Literature Parts (Feature Sheet)
"	LIT3955873		Not Available	Literature Parts (Use & Care Guide)
"	LIT3956346		Not Available	Literature Parts (Energy Guide)
"	LIT8543820		Not Available	Literature Parts (Wiring Diagram)
2	<a href="#">8541617</a>			Top
3	62750			Spacer, Cabinet To Top (4)
4	<a href="#">357213</a>			Nut, Push-In
5	<a href="#">63128</a>			Cabinet
6	<a href="#">62780</a>			Clip, Top And Cabinet And Rear Panel
7	3357011	<a href="#">308685</a>		Side Trim )
8	<a href="#">3351614</a>			Screw, Gearcase Cover Mounting
11	<a href="#">8318084</a>			Switch, Lid

13	3351355	<a href="#">W10119828</a>	Screw, Lid Hinge Mounting
15	<a href="#">8318088</a>		Hinge, Lid
16	<a href="#">54583</a>		Hinge, Lid
17	<a href="#">19119</a>		Bumper, Lid Hinge
18	<a href="#">21258</a>		Bearing, Lid Hinge
19	8542383	<a href="#">W1019385Z</a>	Lid
21	<a href="#">3362952</a>		Dispenser, Bleach
22	<a href="#">9724509</a>		Bumper, Lid
28	<a href="#">3390631</a>		Screw, 10-16 X 3/8

