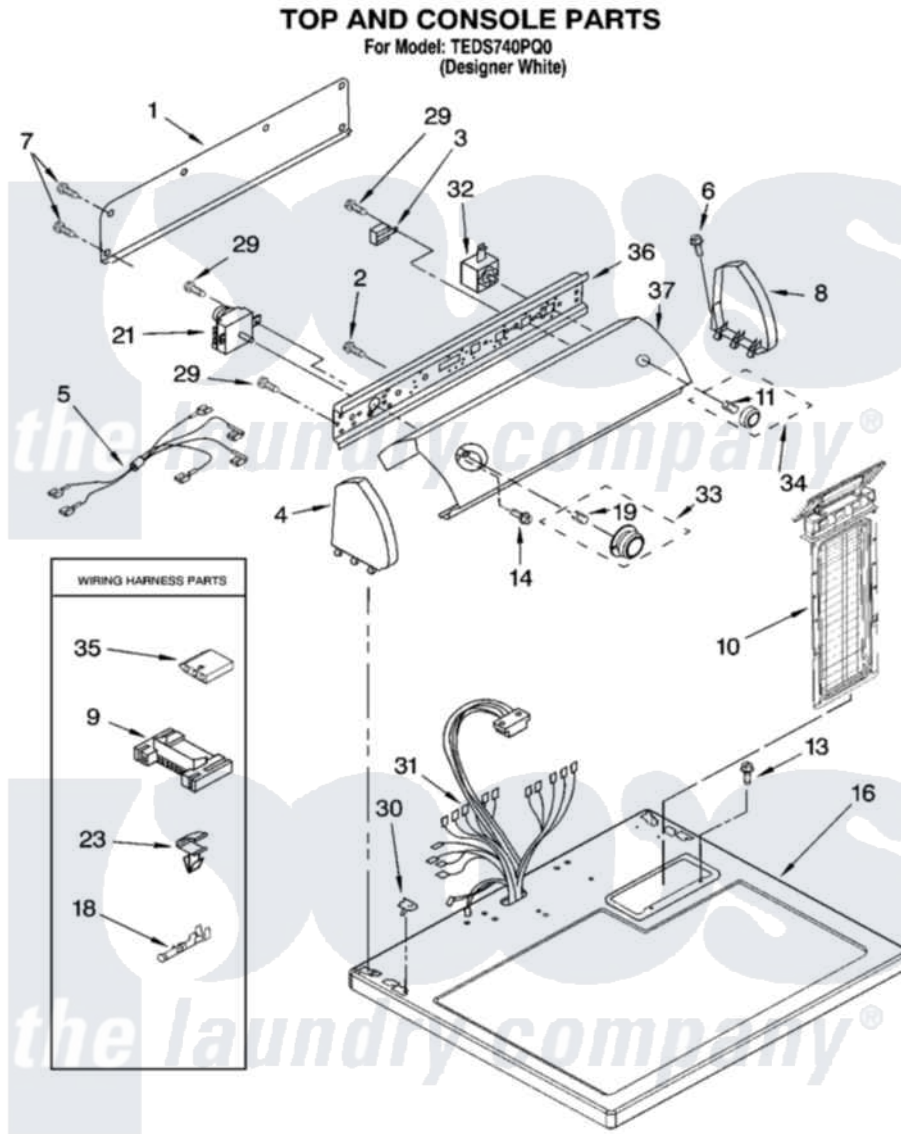


# Whirlpool TEDS740PQ0 02 - TOP AND CONSOLE PARTS



8180415

3

Whirlpool [Residential Whirlpool TEDS740PQ0 Dryer Parts](#) Parts Diagram 02 - TOP AND CONSOLE PARTS  
Click on the part number to view part

| Item | Original Part Number    | Replaced By             | Status | Part Description                        |
|------|-------------------------|-------------------------|--------|---|
| 1    | <a href="#">8274261</a> |                         |        | Do-It-Yourself Repair Manuals           |
| 2    | 8533971                 | <a href="#">90767</a>   |        | Screw, 8A X 3/8 HeX Washer Head Tapping |
| 3    | <a href="#">694419</a>  |                         |        | Mini-Buzzer                             |
| 4    | 8274437                 | <a href="#">279960</a>  |        | Endcap                                  |
| 5    | <a href="#">8539888</a> |                         |        | Jumper, Wire                            |
| 6    | <a href="#">388326</a>  |                         |        | Screw, 8-18 X 1.25                      |
| 7    | <a href="#">693995</a>  |                         |        | Screw, Hex Head                         |
| 8    | 8274434                 | <a href="#">279960</a>  |        | Endcap                                  |
| 9    | <a href="#">3395683</a> |                         |        | Receptacle, Multi-Terminal              |
| 10   | <a href="#">8558463</a> |                         |        | HANdle And Lint Screen Assembly         |
| 11   | <a href="#">8536939</a> |                         |        | Clip, Knob                              |
| 13   | 688983                  | <a href="#">487240</a>  |        | Screw, For Mtg. Service Capacitor       |
| 14   | 8533951                 | <a href="#">3400859</a> |        | Screw, Grounding                        |
| 16   | 8557930                 | <a href="#">8563985</a> |        | Top                                     |

|    |                         |                           |                               |
|----|-------------------------|---------------------------|-------------------------------|
| 18 | <a href="#">94614</a>   |                           | Terminal                      |
| 19 | <a href="#">688805</a>  |                           | Clip, Spring Knob             |
| 21 | <a href="#">8299778</a> |                           | Timer, 60 Hz                  |
| 23 | <a href="#">3394427</a> |                           | Clip-Harness                  |
| 29 | 3390646                 | <a href="#">W10139210</a> | Screw, 8-18 X 5/16            |
| 30 | <a href="#">357213</a>  |                           | Nut, Push-In                  |
| 31 | 8299867                 | <a href="#">W10450292</a> | Harness, Wiring               |
| 32 | <a href="#">3404233</a> |                           | Switch, Push-To-Start         |
| 33 | <a href="#">8557456</a> |                           | Timer Knob Assembly           |
| 34 | <a href="#">8557460</a> |                           | Knob, Control                 |
| 35 | <a href="#">3936144</a> |                           | Do-It-Yourself Repair Manuals |
| 36 | <a href="#">8271418</a> |                           | Bracket, Control              |
| 37 | <a href="#">3977948</a> |                           | Panel, Control                |
| "  | N/A                     | Not Available             | ACCESSORY PARTS               |
| "  | 279948                  | <a href="#">4392065</a>   | Kit, Dryer Repair             |
| "  | <a href="#">3404351</a> |                           | Accessory Parts               |
| "  | <a href="#">8522199</a> |                           | Accessory Parts               |
| "  | <a href="#">72017</a>   |                           | Paint, Touch-Up               |
| "  | <a href="#">350930</a>  |                           | Paint, Pressurized Spray B    |
| "  | <a href="#">350938</a>  |                           | Paint, Pressurized Spray B    |
| "  | <a href="#">799344</a>  |                           | Paint, Touch-Up )             |

