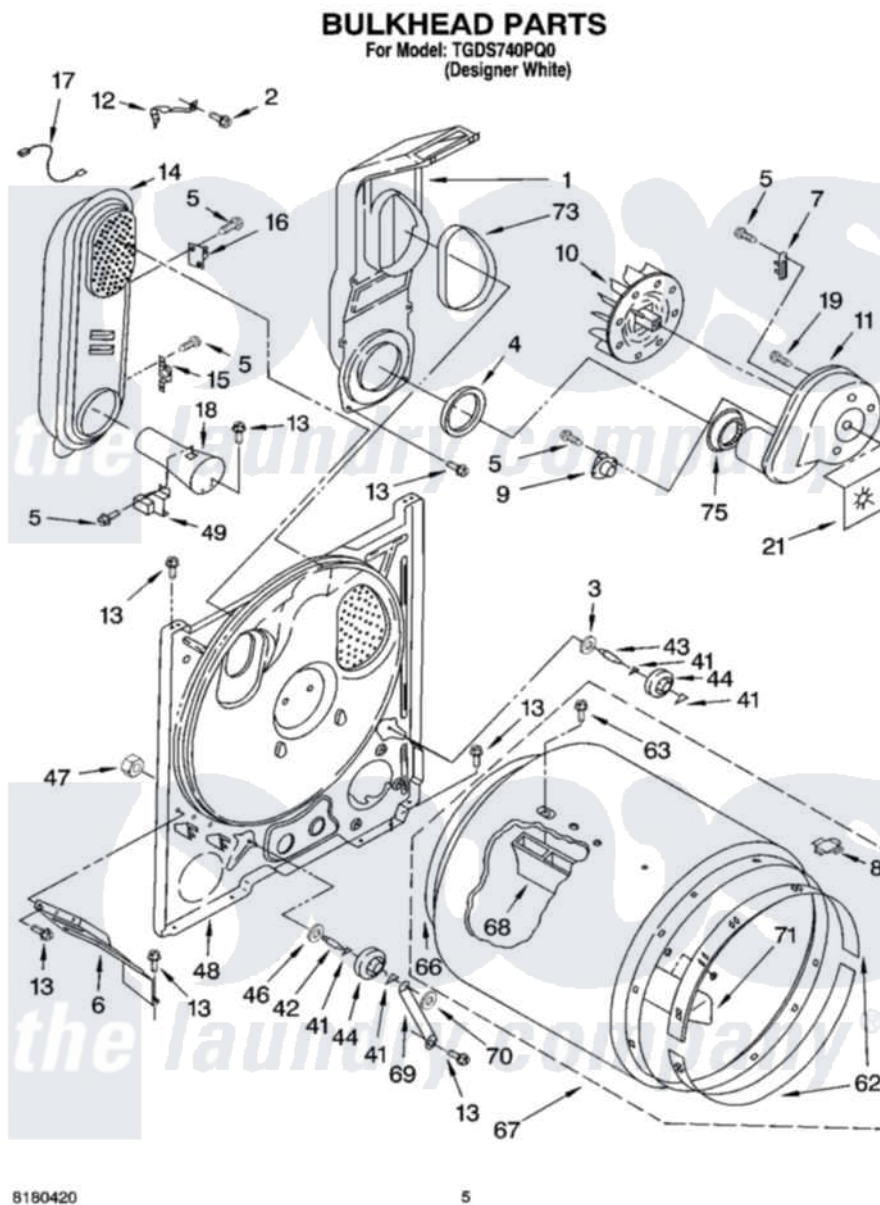


# Whirlpool TGDS740PQ0 03 - BULKHEAD PARTS



Whirlpool [Residential Whirlpool TGDS740PQ0 Dryer Parts](#) Parts Diagram 03 - BULKHEAD PARTS  
Click on the part number to view part

Item	Original Part Number	Replaced By	Status	Part Description
1	<a href="#">348368</a>			Lint Chute Assembly
2	<a href="#">489463</a>			Screw, 8-18 X 1/16
3	<a href="#">3388703</a>			Washer, Support
4	<a href="#">347139</a>			Seal, Lint Chute
5	<a href="#">90767</a>			Screw, 8A X 3/8 HeX Washer Head Tapping
6	<a href="#">3406022</a>			Bracket, Bulkhead
7	<a href="#">3392519</a>			Thermal Limiter
8	<a href="#">8066086</a>			Plug, Drum Hole
9	<a href="#">3387134</a>			Thermostat, Internal-Bias
10	<a href="#">694089</a>			Wheel, Blower
11	8557384	<a href="#">8577230</a>		Housing, Blower
12	<a href="#">8066155</a>			Clip, Heater Box
13	343641	<a href="#">681414</a>		Screw, 10AB X 1/2
14	8530285	<a href="#">279980</a>		Box
15	<a href="#">3403140</a>			Thermostat, High-Limit 205F
16	<a href="#">280010</a>			Kit, Thermal Cut-Off

17	<a href="#">3401707</a>		Jumper, Tco-High Limit
18	<a href="#">8066049</a>		Funnel, Burner Light
19	3390647	<a href="#">488729</a>	Screw
21	<a href="#">3394196</a>		Seal, Blower Shaft
41	<a href="#">690997</a>		Washer, Thrust
42	3399506	<a href="#">W10359270</a>	Shaft, Drum Roller Threads
43	3399507	<a href="#">W10359269</a>	Shaft, Drum Roller Threads
44	3397588	<a href="#">349241T</a>	Support
46	<a href="#">348197</a>		Washer, Support
47	<a href="#">3359452</a>		Nut, Lock
48	3403491	<a href="#">279796</a>	Bulkhead
49	<a href="#">338906</a>		Radiant, Sensor
62	692526	<a href="#">279441</a>	BeaRng-Rng
63	97787	<a href="#">W10109200</a>	Screw, Baffle Mounting
66	3406130	<a href="#">279857</a>	Seal
67	<a href="#">695587</a>		Drum Assembly
68	<a href="#">692490</a>		Baffle, Drum
69	<a href="#">3976434</a>		Bracket, Support Shaft
70	<a href="#">90296</a>		Nut, Push On
71	<a href="#">3403636</a>		Baffle, Drum
73	<a href="#">339956</a>		Seal, Air Duct To Bulkhead
75	<a href="#">696302</a>		Shield, Exhaust

