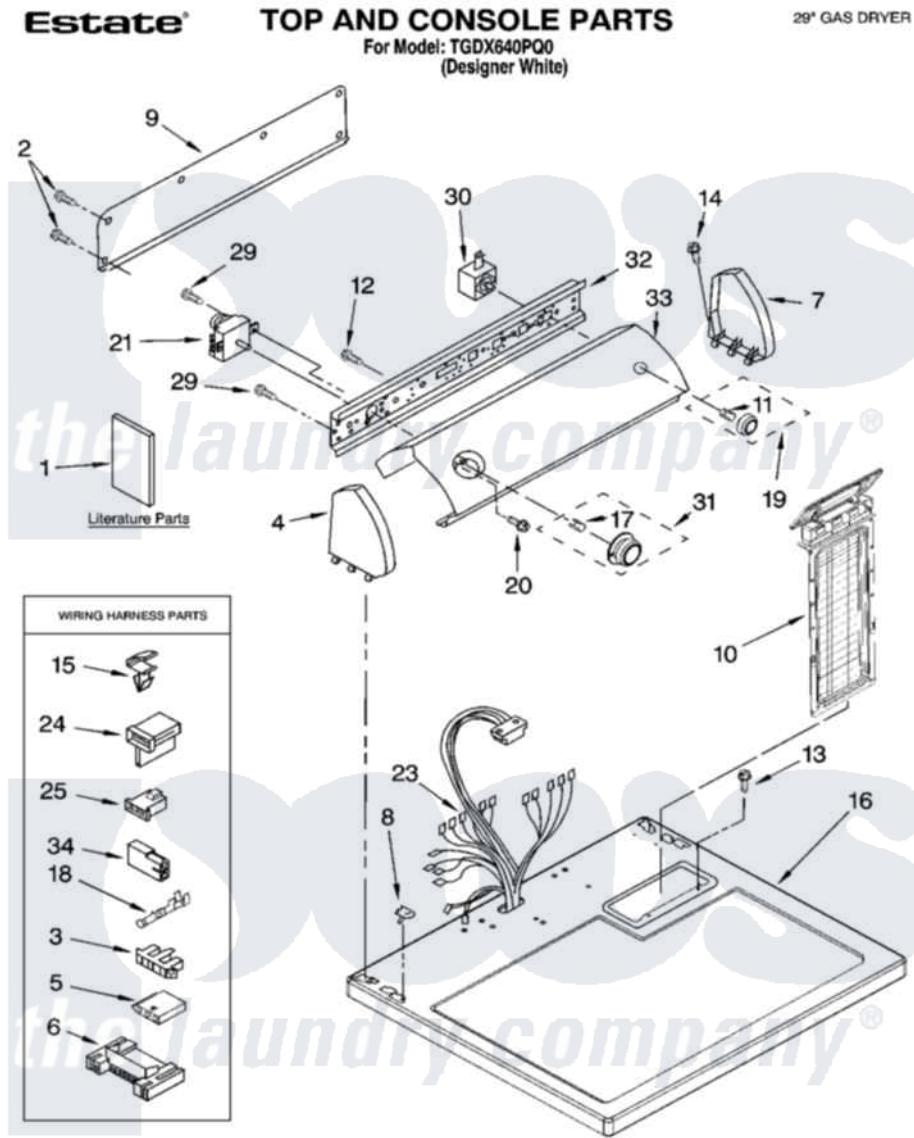


# Whirlpool TGDX640PQ0 01 - TOP AND CONSOLE PARTS



5-04 Litho in U.S.A. (djc)

1

Part No. 8180422

Whirlpool Residential Whirlpool TGDX640PQ0 Dryer Parts Parts Diagram 01 - TOP AND CONSOLE PARTS  
Click on the part number to view part

| Item | Original Part Number    | Replaced By            | Status        | Part Description                       |
|------|-------------------------|------------------------|---------------|--|
| 1    | 8533783                 |                        | Not Available | Guide, Use & Care                      |
| "    | 8562589                 |                        | Not Available | Instructions, Installation             |
| "    | <a href="#">8528187</a> |                        |               | Wiring Diagram                         |
| "    | 8533781                 |                        | Not Available | Sheet, Cycle Feature                   |
| "    | N/A                     |                        | Not Available | Following May Be Purchased             |
| "    | N/A                     |                        | Not Available | DO-IT-YOURSELF REPAIR MANUALS          |
| "    | 677818                  |                        | Not Available | Manual, Do-It- Yourself Repair (Dryer) |
| 2    | <a href="#">693995</a>  |                        |               | Screw, Hex Head                        |
| 3    | <a href="#">3397269</a> |                        |               | Connector, Timer                       |
| 4    | 8274437                 | <a href="#">279960</a> |               | Endcap                                 |
| 5    | <a href="#">3936144</a> |                        |               | Do-It-Yourself Repair Manuals          |
| 6    | <a href="#">3395683</a> |                        |               | Receptacle, Multi-Terminal             |
| 7    | 8274434                 | <a href="#">279960</a> |               | Endcap                                 |
| 8    | <a href="#">357213</a>  |                        |               | Nut, Push-In                           |
| 9    | <a href="#">8274261</a> |                        |               | Do-It-Yourself Repair Manuals          |

|    |                         |                           |   |
|----|-------------------------|---------------------------|---|
| 10 | <a href="#">8558467</a> |                           | Screen, Lint                            |
| 11 | <a href="#">8536939</a> |                           | Clip, Knob                              |
| 12 | 8533971                 | <a href="#">90767</a>     | Screw, 8A X 3/8 HeX Washer Head Tapping |
| 13 | 688983                  | <a href="#">487240</a>    | Screw, For Mtg. Service Capacitor       |
| 14 | <a href="#">388326</a>  |                           | Screw, 8-18 X 1.25                      |
| 15 | <a href="#">3394427</a> |                           | Clip-Harness                            |
| 16 | 8557930                 | <a href="#">8563985</a>   | Top                                     |
| 17 | <a href="#">688805</a>  |                           | Clip, Spring Knob                       |
| 18 | <a href="#">94614</a>   |                           | Terminal                                |
| 19 | <a href="#">8557462</a> |                           | Knob, Push-To-Start                     |
| 20 | 8533951                 | <a href="#">3400859</a>   | Screw, Grounding                        |
| 21 | <a href="#">8299764</a> |                           | Timer Assembly, 60 Hz                   |
| 23 | <a href="#">8299876</a> |                           | Harness, Wiring                         |
| 24 | <a href="#">3403499</a> |                           | Connector, 2-Postion                    |
| 25 | <a href="#">3403498</a> |                           | Connector, 3-Position                   |
| 29 | 3390646                 | <a href="#">W10139210</a> | Screw, 8-18 X 5/16                      |
| 30 | <a href="#">3977456</a> |                           | Switch, Push-To-Start                   |
| 31 | <a href="#">8557456</a> |                           | Timer Knob Assembly                     |
| 32 | <a href="#">8271418</a> |                           | Bracket, Control                        |
| 33 | <a href="#">3977947</a> |                           | Panel, Control                          |
| 34 | <a href="#">717252</a>  |                           | Receptacle, Terminal                    |
| "  | N/A                     | Not Available             | ACCESSORY PARTS                         |
| "  | 279948                  | <a href="#">4392065</a>   | Kit, Dryer Repair                       |
| "  | <a href="#">8522199</a> |                           | Accessory Parts                         |
| "  | <a href="#">346764</a>  |                           | Kit, Hold Down                          |
| "  | <a href="#">689790</a>  |                           | Dry Rack                                |
| "  | <a href="#">72017</a>   |                           | Paint, Touch-Up                         |
| "  | <a href="#">350930</a>  |                           | Paint, Pressurized Spray B              |
| "  | <a href="#">350938</a>  |                           | Paint, Pressurized Spray B              |
| "  | <a href="#">799344</a>  |                           | Paint, Touch-Up )                       |

