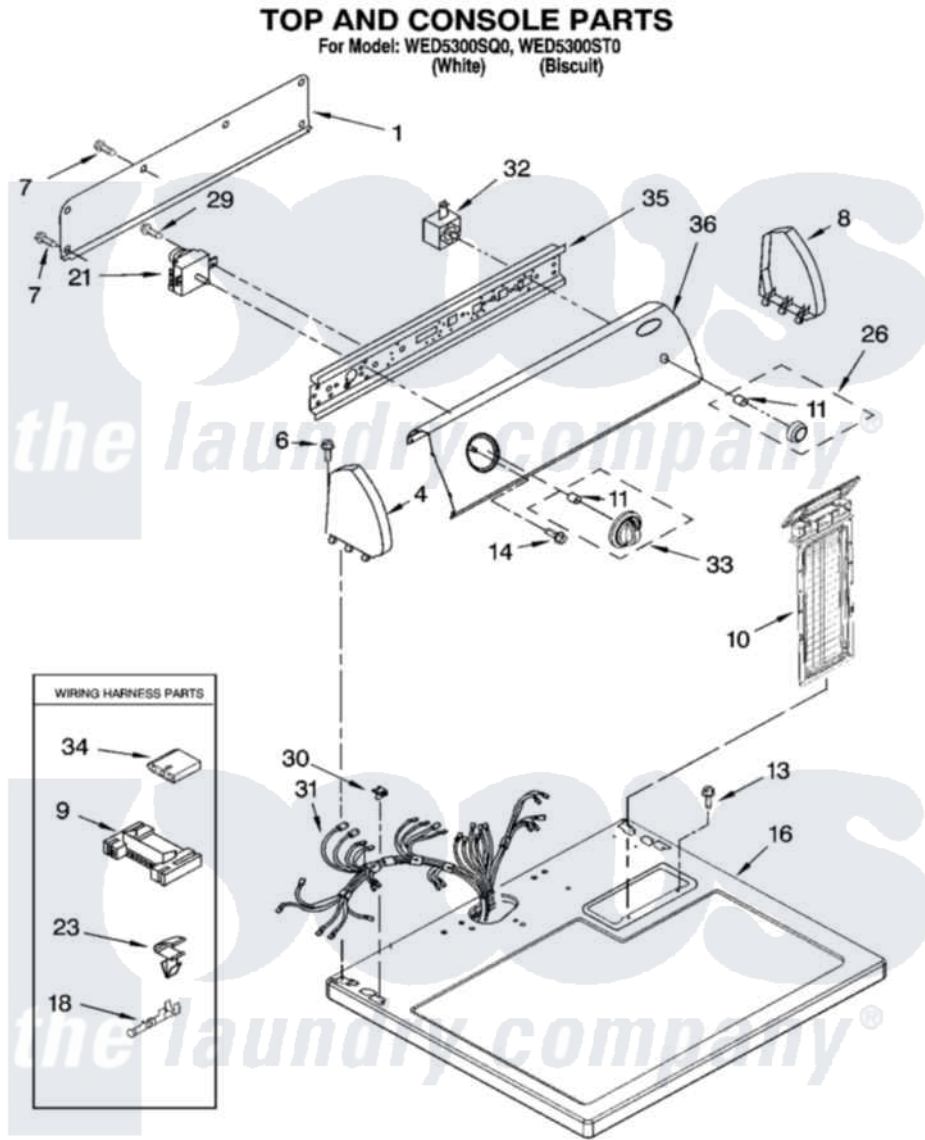


# Whirlpool WED5300ST0 02 - TOP AND CONSOLE PARTS



8181243

3

Whirlpool [Residential Whirlpool WED5300ST0 Dryer Parts](#) Parts Diagram 02 - TOP AND CONSOLE PARTS  
Click on the part number to view part

Item	Original Part Number	Replaced By	Status	Part Description
1	<a href="#">8274261</a>			Do-It-Yourself Repair Manuals
4	8271365	<a href="#">279962</a>		Endcap
"	8271368	<a href="#">279965</a>		Endcap
6	<a href="#">388326</a>			Screw, 8-18 X 1.25
7	<a href="#">693995</a>			Screw, Hex Head
8	8271359	<a href="#">279962</a>		Endcap
"	8271362	<a href="#">279965</a>		Endcap
9	<a href="#">3395683</a>			Receptacle, Multi-Terminal
10	<a href="#">8557857</a>			Screen, Lint
"	<a href="#">8557858</a>			Screen, Lint
11	<a href="#">8536939</a>			Clip, Knob
13	688983	<a href="#">487240</a>		Screw, For Mtg. Service Capacitor
14	8533951	<a href="#">3400859</a>		Screw, Grounding
16	8557930	<a href="#">8563985</a>		Top
"	8557931	<a href="#">8563986</a>		Top
18	<a href="#">94614</a>			Terminal

21	<a href="#">8299778</a>		Timer, 60 Hz
23	<a href="#">3394427</a>		Clip-Harness
26	<a href="#">8566065</a>		Knob, Push-To-Start
"	<a href="#">8566068</a>		Knob, Push-To-Start
29	8533971	<a href="#">90767</a>	Screw, 8A X 3/8 HeX Washer Head Tapping
30	<a href="#">357213</a>		Nut, Push-In
31	8299867	<a href="#">W10450292</a>	Harness, Wiring
32	<a href="#">3977456</a>		Switch, Push-To-Start
33	<a href="#">8566061</a>		Timer Knob Assembly
"	<a href="#">8566064</a>		Timer Knob Assembly
34	<a href="#">3936144</a>		Do-It-Yourself Repair Manuals
35	<a href="#">8544895</a>		Bracket, Control
36	<a href="#">8578844</a>		Panel, Control
"	<a href="#">8579482</a>		Panel, Control

