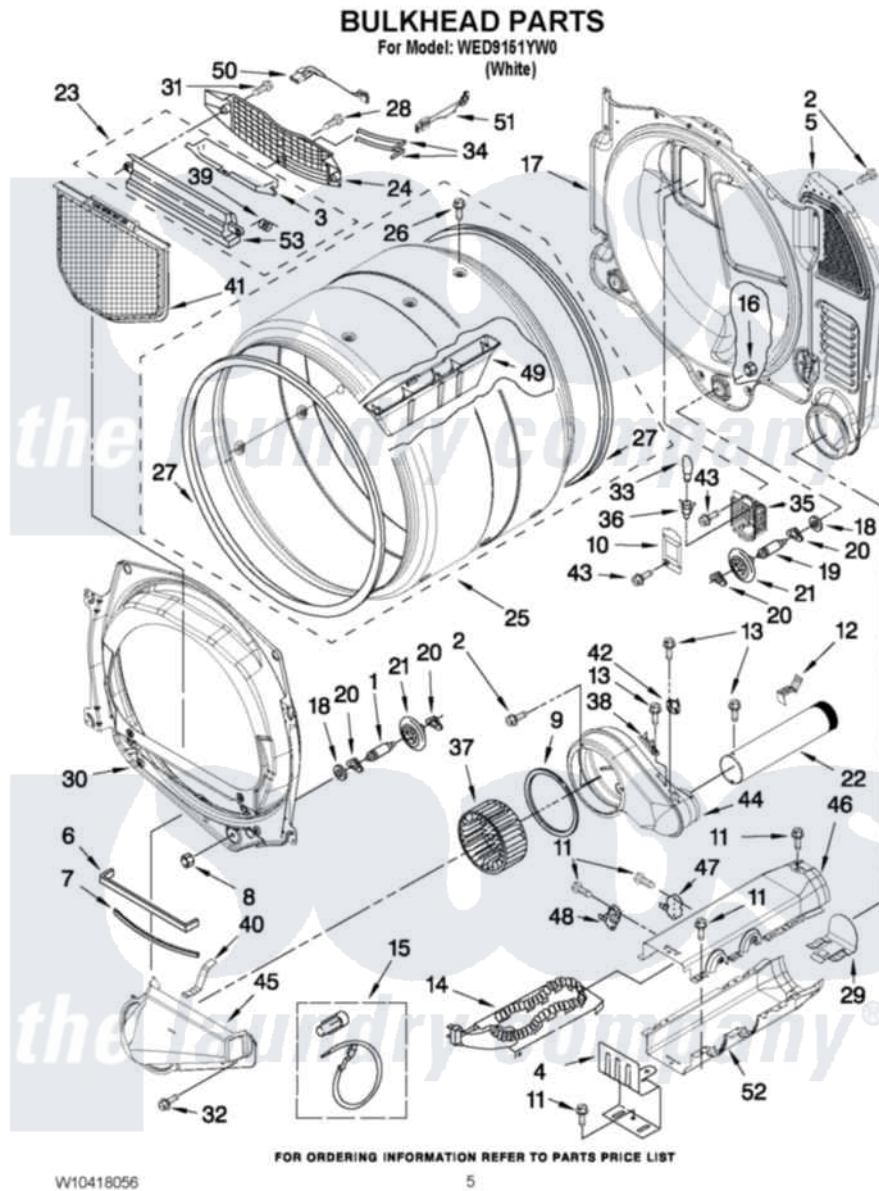


# Whirlpool WED9151YW0 03 - BULKHEAD PARTS



Whirlpool Residential Whirlpool WED9151YW0 Dryer Parts Parts Diagram 03 - BULKHEAD PARTS  
Click on the part number to view part

| Item | Original Part Number      | Replaced By               | Status | Part Description                        |
|------|---------------------------|---------------------------|--------|---|
| 1    | <a href="#">W10359271</a> |                           |        | Shaft, Drum Roller Threads              |
| 2    | 3390647                   | <a href="#">488729</a>    |        | Screw                                   |
| 3    | <a href="#">W10153413</a> |                           |        | Door, Lint Screen                       |
| 4    | <a href="#">8066099</a>   |                           |        | Bracket, Heater Box                     |
| 5    | 697354                    | <a href="#">3387911</a>   |        | Duct-Air                                |
| 6    | <a href="#">697813</a>    |                           |        | Seal, Outlet Housing                    |
| 7    | 697814                    | <a href="#">697813</a>    |        | Seal, Outlet Housing                    |
| 8    | 3934666                   | <a href="#">W10080210</a> |        | Nut, 3/8 X 16                           |
| 9    | <a href="#">697770</a>    |                           |        | Seal, Cover Plate Blower Housing        |
| 10   | 3402841                   | <a href="#">8532165</a>   |        | Lens, Drum Light                        |
| 11   | <a href="#">693995</a>    |                           |        | Screw, Hex Head                         |
| 12   | <a href="#">8572105</a>   |                           |        | Retainer, Toe Panel                     |
| 13   | 8533971                   | <a href="#">90767</a>     |        | Screw, 8A X 3/8 HeX Washer Head Tapping |
| 14   | <a href="#">8544771</a>   |                           |        | Heater Element                          |
| 15   | <a href="#">279457</a>    |                           |        | Wire Kit, Terminal                      |

|    |                           |                           |                                    |
|----|---------------------------|---------------------------|------------------------------------|
| 16 | W10001120                 | <a href="#">W10080190</a> | Nut, 3/8-16                        |
| 17 | <a href="#">W10080170</a> |                           | Bulkhead, Rear                     |
| 18 | 3387459                   | <a href="#">W10080960</a> | Washer, Support                    |
| 19 | <a href="#">W10359272</a> |                           | Shaft, Roller Drum Threads         |
| 20 | <a href="#">690997</a>    |                           | Washer, Thrust                     |
| 21 | <a href="#">W10314171</a> |                           | Roller, Support Assembly           |
| 22 | <a href="#">8563728</a>   |                           | Exhaust Pipe                       |
| 23 | <a href="#">W10153423</a> |                           | Outlet Grille, Housing Assembly    |
| 24 | <a href="#">W10153412</a> |                           | Grille, Outlet                     |
| 25 | <a href="#">W10153420</a> |                           | Complete Drum Assembly             |
| 26 | <a href="#">W10219342</a> |                           | Screw, Baffle Mounting             |
| 27 | W10166807                 | <a href="#">280114</a>    | Seal                               |
| 28 | 695240                    | <a href="#">488729</a>    | Screw                              |
| 29 | <a href="#">8544776</a>   |                           | Flange, Heater Box                 |
| 30 | <a href="#">8565061</a>   |                           | Bulkhead, Front                    |
| 31 | <a href="#">3387230</a>   |                           | Screw, 10-16 X 13/16               |
| 32 | <a href="#">489463</a>    |                           | Screw, 8-18 X 1/16                 |
| 33 | 3406124                   | <a href="#">22002263</a>  | Lamp                               |
| 34 | <a href="#">3387223</a>   |                           | Electrode, Sensor                  |
| 35 | <a href="#">8578825</a>   |                           | Bracket, Drum Light                |
| 36 | <a href="#">W10214261</a> |                           | Socket, Drum Light Assembly        |
| 37 | <a href="#">697772</a>    |                           | Wheel, Blower                      |
| 38 | <a href="#">3392519</a>   |                           | Thermal Limiter                    |
| 39 | <a href="#">3394986</a>   |                           | Spring, Lint Screen Door           |
| 40 | W10345456                 | <a href="#">8066208</a>   | Clip-Exhaust                       |
| 41 | W10049370                 | <a href="#">W10120998</a> | Screen                             |
| 42 | <a href="#">8577274</a>   |                           | Thermostat 295F                    |
| 43 | 3390647                   | <a href="#">488729</a>    | Screw                              |
| 44 | 8544362                   | <a href="#">W10119255</a> | Housing, Blower                    |
| 45 | 8066168                   | <a href="#">W10128606</a> | Duct-Lint                          |
| 46 | <a href="#">8544769</a>   |                           | Housing, Blower Lint Duct Assembly |
| 47 | 8318314                   | <a href="#">279973</a>    | Kit, Thermal Cut-Off               |
| 48 | <a href="#">3391914</a>   |                           | Thermostat 295 F                   |
| 49 | <a href="#">W10153409</a> |                           | Baffle, Drum                       |
| 50 | <a href="#">W10110975</a> |                           | Harness, Sensor                    |
| 51 | <a href="#">3406653</a>   |                           | Harness, Sensor                    |
| 52 | <a href="#">8544770</a>   |                           | Housing Slot, Heater Box           |
| 53 | <a href="#">W10153414</a> |                           | Outlet, Housing Assembly           |