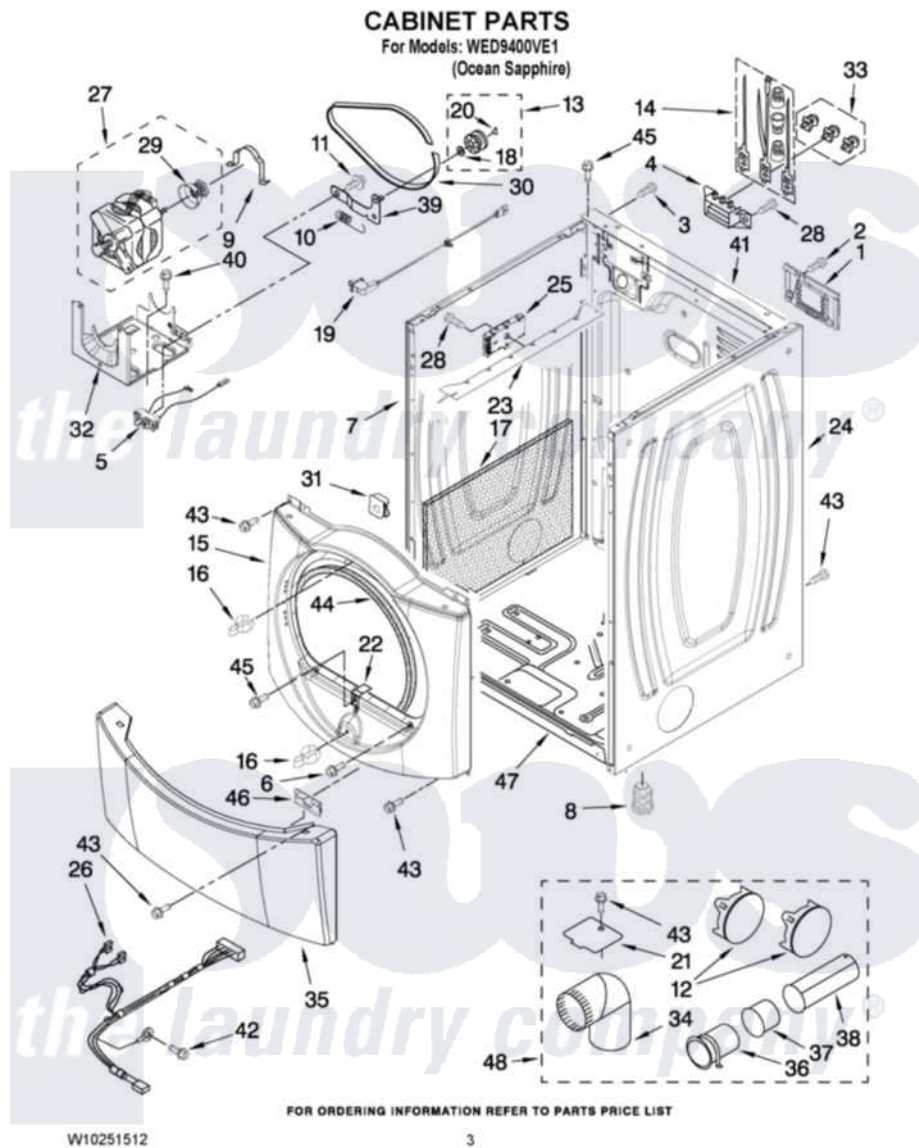


Whirlpool WED9400VE1 02 - CABINET PARTS



Whirlpool Residential Whirlpool WED9400VE1 Dryer Parts Parts Diagram 02 - CABINET PARTS
 Click on the part number to view part

Item	Original Part Number	Replaced By	Status	Part Description
1	8576583	W10119283		Cover, Terminal Block
2	3390814	90767		Screw, 8A X 3/8 HeX Washer Head Tapping
3	8533974	4331106		Screw, No.10-32 X 7/16
4	3397659			Block, Terminal
5	W10246525	W10314253		Switch, Assembly Broken Belt
6	3357011	308685		Side Trim)
7	W10192445			Panel, Side
8	3392100	49621		Feet-Leveling
NI	279810			Foot-Optional
9	W10121316			Plug, Multivent
10	3387374			Spring, Idler
11	3389420			Retainer-Idler 1/4-20 X 1/16
12	W10151499	W10404617		Plug, Multivent
13	3388672	279640		Pulley-ldr
14	279318			Terminal Tinned And Brass Panel

15	W10180436		Front Panel
16	696144	279570	Latch
17	W10123956		Dampening Panel
18	W10121334		Washer, Thrust
19	W10128087	W10318609	Switch, Assembly Door
20	690997		Washer, Thrust
21	8066115	3394331	Plate Cover
22	8529053		Ramp, Door Door Switch
23	8563727		Bracket, Control
24	W10192456		Panel, Side
25	W10174745		Board, Control
26	W10242904		Harness, Digital Interface
27	8538263	279787	Motor-Drve
28	90767		Screw, 8A X 3/8 HeX Washer Head Tapping
29	8578220		Pulley, Motor
30	3387610	661570	Belt
31	62825		Clip-S Type Control Board
32	W10242878		Bracket, Motor Mounting
33	279393		Terminal Block Screw Kit
34	49026		4" - 90° Elbow
35	W10246280		Toe Panel
36	8563747		Exhaust Pipe Medium Pipe
37	8563750		Exhaust Pipe
38	8563749		Exhaust Pipe
39	3388674	W10118756	Idler Bracket
40	343641	681414	Screw, 10AB X 1/2
41	W10180481	280036	Panel-Rear
42	693995		Screw, Hex Head
43	3390647	488729	Screw
44	3387242		Seal, Front Panel
45	3357011	308685	Side Trim)
46	8519459		Clip, Toe Panel
47	W10273475		Base, Cabinet
48	W10186596	W10470674	Dryer Exhaust Kit

