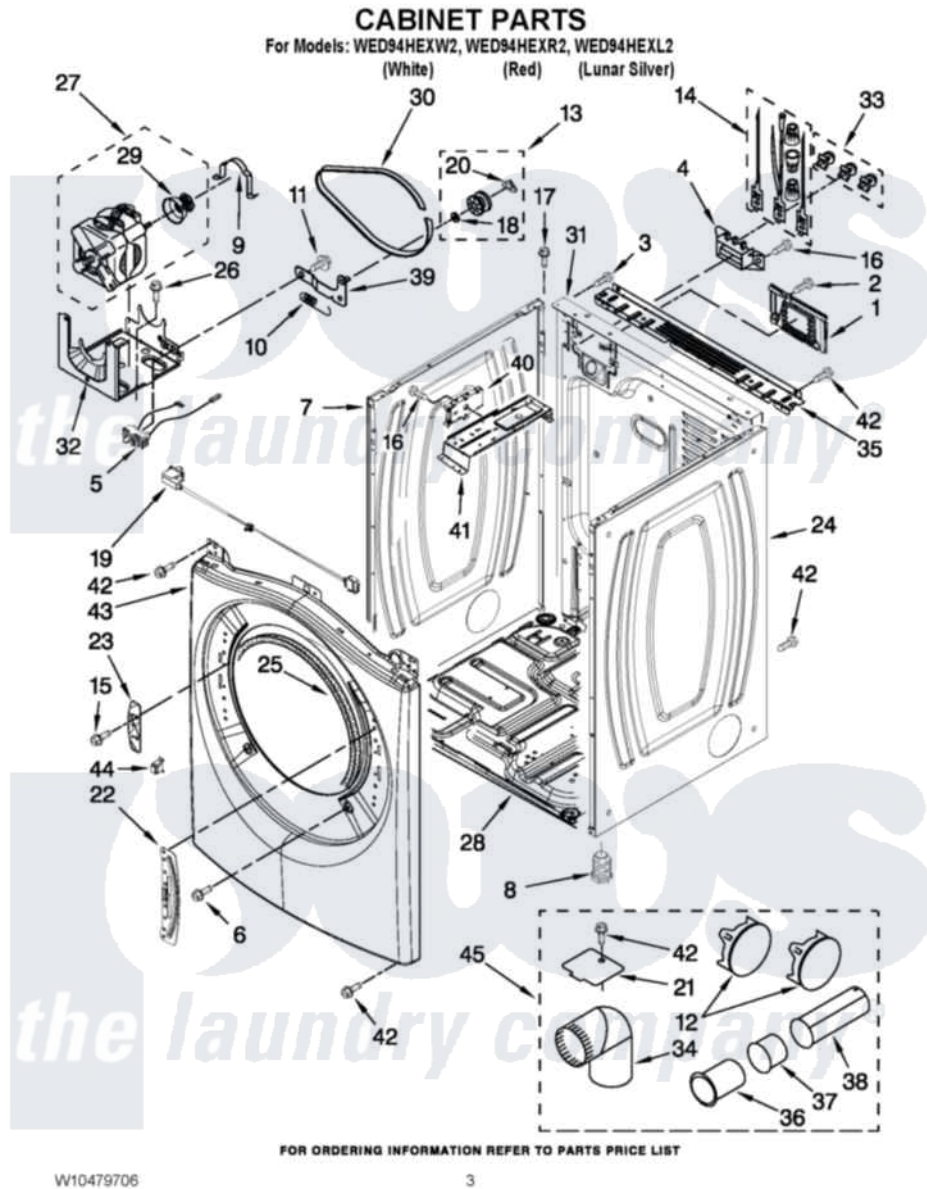


# Whirlpool WED94HEXW2 02 - CABINET PARTS



W10479706

3

Whirlpool [Residential Whirlpool WED94HEXW2 Dryer Parts](#) Parts Diagram 02 - CABINET PARTS  
Click on the part number to view part

| Item | Original Part Number      | Replaced By               | Status | Part Description             |
|------|---------------------------|---------------------------|--------|------------------------------|
| 1    | <a href="#">W10316167</a> |                           |        | Cover,                       |
| 2    | <a href="#">3390631</a>   |                           |        | Screw, 10-16 X 3/8           |
| 3    | 8533974                   | <a href="#">4331106</a>   |        | Screw, No.10-32 X 7/16       |
| 4    | <a href="#">3397659</a>   |                           |        | Block, Terminal              |
| 5    | <a href="#">W10411936</a> |                           |        | Switch, Broken Belt          |
| 6    | 3357011                   | <a href="#">308685</a>    |        | Side Trim )                  |
| 7    | <a href="#">W10468495</a> |                           |        | Panel, Side                  |
| "    | W10337789                 | <a href="#">W10468502</a> |        | Panel, Side                  |
| "    | <a href="#">W10249727</a> |                           |        | Panel, Side                  |
| 8    | 3392100                   | <a href="#">49621</a>     |        | Feet-Leveling                |
| NI   | <a href="#">279810</a>    |                           |        | Foot-Optional                |
| 9    | <a href="#">W10121316</a> |                           |        | Plug, Multivent              |
| 10   | <a href="#">3387374</a>   |                           |        | Spring, Idler                |
| 11   | <a href="#">3389420</a>   |                           |        | Retainer-Idler 1/4-20 X 1/16 |
| 12   | <a href="#">W10404617</a> |                           |        | Plug, Multivent              |
| 13   | 3388672                   | <a href="#">279640</a>    |        | Pulley-ldr                   |

|    |                           |                           |   |
|----|---------------------------|---------------------------|---|
| 14 | <a href="#">279318</a>    |                           | Terminal Tinned And Brass Panel         |
| 15 | <a href="#">W10288126</a> |                           | Screw, 10-32 X 1/2                      |
| 16 | <a href="#">90767</a>     |                           | Screw, 8A X 3/8 HeX Washer Head Tapping |
| 17 | 3393008                   | <a href="#">308685</a>    | Side Trim )                             |
| 18 | <a href="#">W10121334</a> |                           | Washer, Thrust                          |
| 19 | <a href="#">W10267834</a> |                           | Door Switch Assembly                    |
| 20 | <a href="#">690997</a>    |                           | Washer, Thrust                          |
| 21 | <a href="#">W10354249</a> |                           | Plate, Cover                            |
| 22 | <a href="#">W10208218</a> |                           | Bracket, Door Hinge                     |
| 23 | <a href="#">W10208250</a> |                           | Strike, Door                            |
| 24 | <a href="#">W10468495</a> |                           | Panel, Side                             |
| "  | W10337790                 | <a href="#">W10468502</a> | Panel, Side                             |
| "  | <a href="#">W10249725</a> |                           | Panel, Side                             |
| 25 | <a href="#">3387242</a>   |                           | Seal, Front Panel                       |
| 26 | 343641                    | <a href="#">681414</a>    | Screw, 10AB X 1/2                       |
| 27 | 8538263                   | <a href="#">279787</a>    | Motor-Drve                              |
| 28 | <a href="#">8565046</a>   |                           | (BROKEN BELT BASE, CABINET SWITCH)      |
| 29 | <a href="#">8578220</a>   |                           | Pulley, Motor                           |
| 30 | 3387610                   | <a href="#">661570</a>    | Belt                                    |
| 31 | <a href="#">W10247569</a> |                           | Panel, Rear                             |
| 32 | <a href="#">W10242878</a> |                           | Bracket, Motor Mounting                 |
| 33 | <a href="#">279393</a>    |                           | Terminal Block Screw Kit                |
| 34 | <a href="#">49026</a>     |                           | 4" - 90° Elbow                          |
| 35 | <a href="#">W10208382</a> |                           | Bracket, Rear Dryer                     |
| 36 | <a href="#">8563747</a>   |                           | Exhaust Pipe Medium Pipe                |
| 37 | <a href="#">W10331278</a> |                           | Exhaust Pipe                            |
| 38 | <a href="#">8563749</a>   |                           | Exhaust Pipe                            |
| 39 | 3388674                   | <a href="#">W10118756</a> | Idler Bracket                           |
| 40 | <a href="#">W10249824</a> |                           | Control Board                           |
| 41 | <a href="#">W10259611</a> |                           | Bracket, Control                        |
| 42 | 3390647                   | <a href="#">488729</a>    | Screw                                   |
| 43 | <a href="#">W10208192</a> |                           | Front Panel                             |
| "  | <a href="#">W10337783</a> |                           | Front Panel                             |
| "  | W10316295                 | <a href="#">W10316296</a> | Front Panel                             |
| 44 | <a href="#">W10208401</a> |                           | Spring Catch Assembly                   |
| NI | W10186596                 | <a href="#">W10470674</a> | Dryer Exhaust Kit                       |

*the laundry company®*