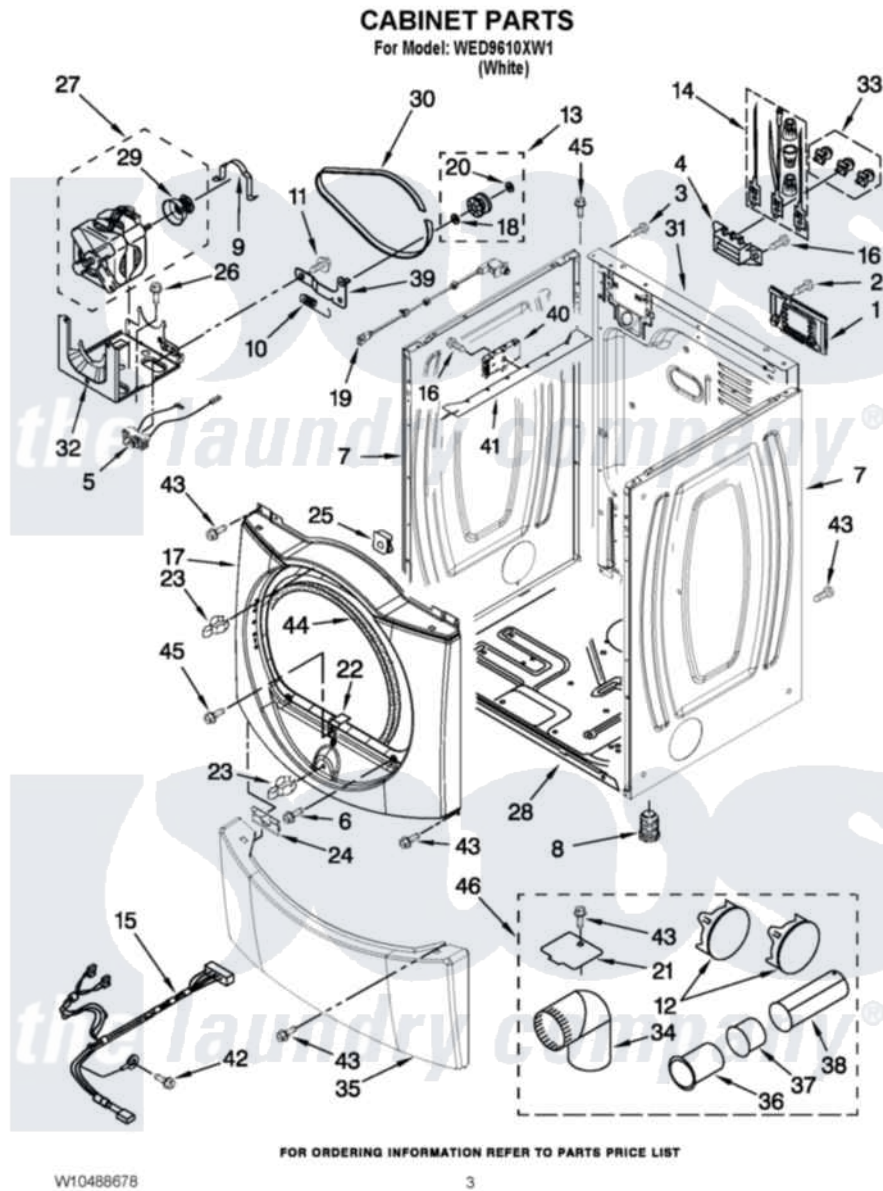


Whirlpool WED9610XW1 02 - CABINET PARTS



Whirlpool [Residential Whirlpool WED9610XW1 Dryer Parts](#) Parts Diagram 02 - CABINET PARTS
Click on the part number to view part

Item	Original Part Number	Replaced By	Status	Part Description
1	W10286180	W10119283		Cover, Terminal Block
2	3390814	90767		Screw, 8A X 3/8 HeX Washer Head Tapping
3	8533974	4331106		Screw, No.10-32 X 7/16
4	3397659			Block, Terminal
5	W10411936			Switch, Broken Belt
6	3357011	308685		Side Trim)
7	W10468495			Panel, Side
8	3392100	49621		Feet-Leveling
NI	279810			Foot-Optional
9	W10121316			Plug, Multivent
10	3387374			Spring, Idler
11	3389420			Retainer-Idler 1/4-20 X 1/16
12	W10404617			Plug, Multivent
13	3388672	279640		Pulley-ldr
14	279318			Terminal Tinned And Brass Panel

15	W10242904		Harness, Digital Interface
16	90767		Screw, 8A X 3/8 HeX Washer Head Tapping
17	W10180423		Front Panel
18	W10121334		Washer, Thrust
19	W10128087	W10318609	Switch, Assembly Door
20	690997		Washer, Thrust
21	W10354249		Plate, Cover
22	8529053		Ramp, Door Door Switch
23	696144	279570	Latch
24	8519459		Clip, Toe Panel
25	62825		Clip-S Type Control Board
26	343641	681414	Screw, 10AB X 1/2
27	W10396028	279787	Motor-Drive
28	W10239098		Front Panel
29	8578220		Pulley, Motor
30	3387610	661570	Belt
31	W10247569		Panel, Rear
32	W10242878		Bracket, Motor Mounting
33	279393		Terminal Block Screw Kit
34	49026		4" - 90° Elbow
35	W10246269		Panel, Toe
36	8563747		Exhaust Pipe Medium Pipe
37	W10331278		Exhaust Pipe
38	8563749		Exhaust Pipe
39	3388674	W10118756	Idler Bracket
40	W10256719		Board, Control
41	8563727		Bracket, Control
42	693995		Screw, Hex Head
43	3390647	488729	Screw
44	3387242		Seal, Front Panel
45	3393008	308685	Side Trim)
NI	W10186596	W10470674	Dryer Exhaust Kit

