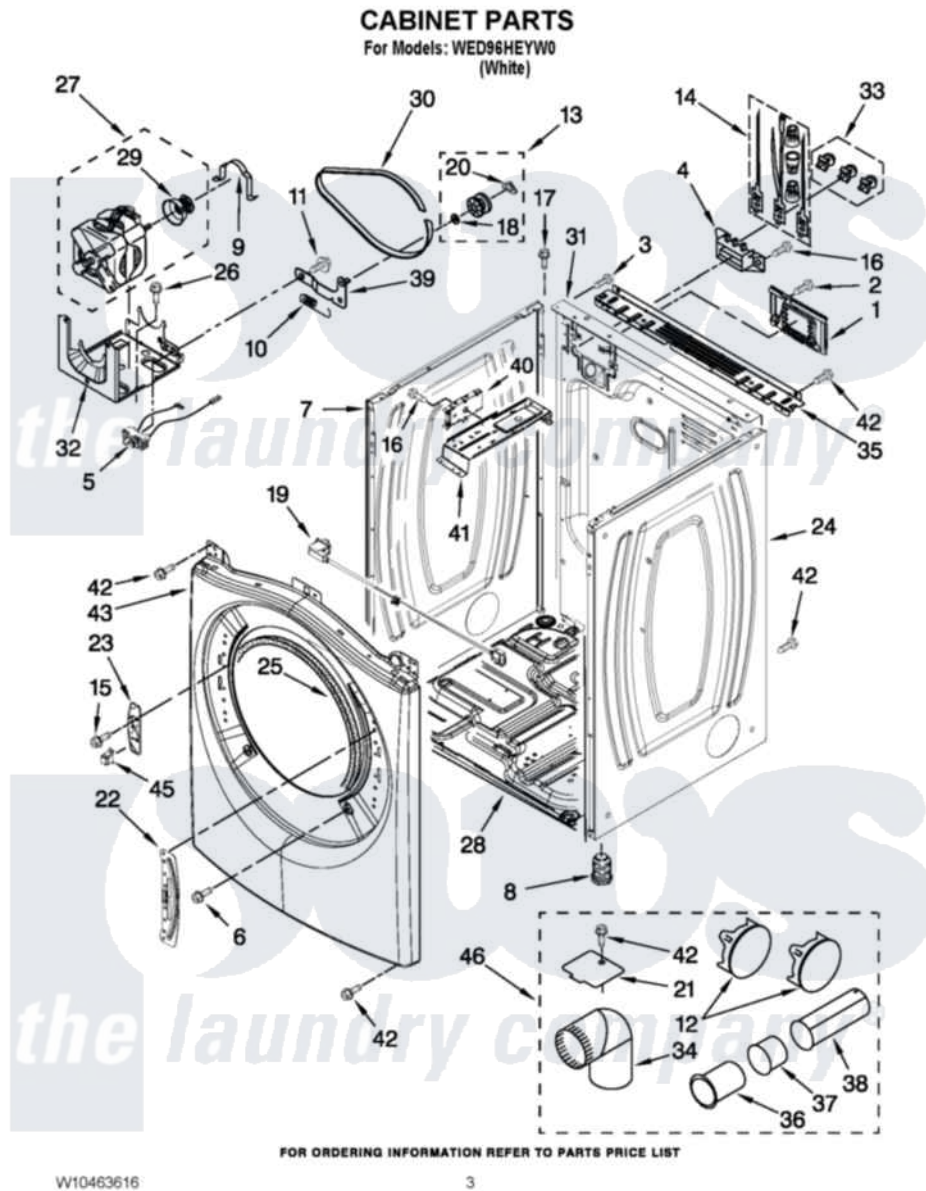


Whirlpool WED96HEYW0 02 - CABINET PARTS



Whirlpool [Residential Whirlpool WED96HEYW0 Dryer Parts](#) Parts Diagram 02 - CABINET PARTS
Click on the part number to view part

Item	Original Part Number	Replaced By	Status	Part Description
1	W10316167			Cover,
2	3390631			Screw, 10-16 X 3/8
3	8533974	4331106		Screw, No.10-32 X 7/16
4	3397659			Block, Terminal
5	W10246525	W10314253		Switch, Assembly Broken Belt
6	3357011	308685		Side Trim)
7	W10192435			Panel, Side
8	3392100	49621		Feet-Leveling
NI	279810			Foot-Optional
9	W10121316			Plug, Multivent
10	3387374			Spring, Idler
11	3389420			Retainer-Idler 1/4-20 X 1/16
12	W10404617			Plug, Multivent
13	3388672	279640		Pulley-ldr
14	279318			Terminal Tinned And Brass Panel
15	W10288126			Screw, 10-32 X 1/2

16	90767		Screw, 8A X 3/8 HeX Washer Head Tapping
17	3393008	308685	Side Trim)
18	W10121334		Washer, Thrust
19	W10267834		Door Switch Assembly
20	690997		Washer, Thrust
21	W10354249		Plate, Cover
22	W10208218		Bracket, Door Hinge
23	W10208250		Strike, Door
24	W10192446		Panel, Side
25	3387242		Seal, Front Panel
26	343641	681414	Screw, 10AB X 1/2
27	8538263	279787	Motor-Drve
28	8565046		(BROKEN BELT BASE, CABINET SWITCH)
29	8578220		Pulley, Motor
30	3387610	661570	Belt
31	W10247569		Panel, Rear
32	W10242878		Bracket, Motor Mounting
33	279393		Terminal Block Screw Kit
34	49026		4" - 90° Elbow
35	W10208382		Bracket, Rear Dryer
36	8563747		Exhaust Pipe Medium Pipe
37	W10331278		Exhaust Pipe
38	8563749		Exhaust Pipe
39	3388674	W10118756	Idler Bracket
40	W10249825		Control Board
41	W10259611		Bracket, Control
42	3390647	488729	Screw
43	W10208192		Front Panel
45	W10208401		Spring Catch Assembly
NI	W10186596	W10470674	Dryer Exhaust Kit

