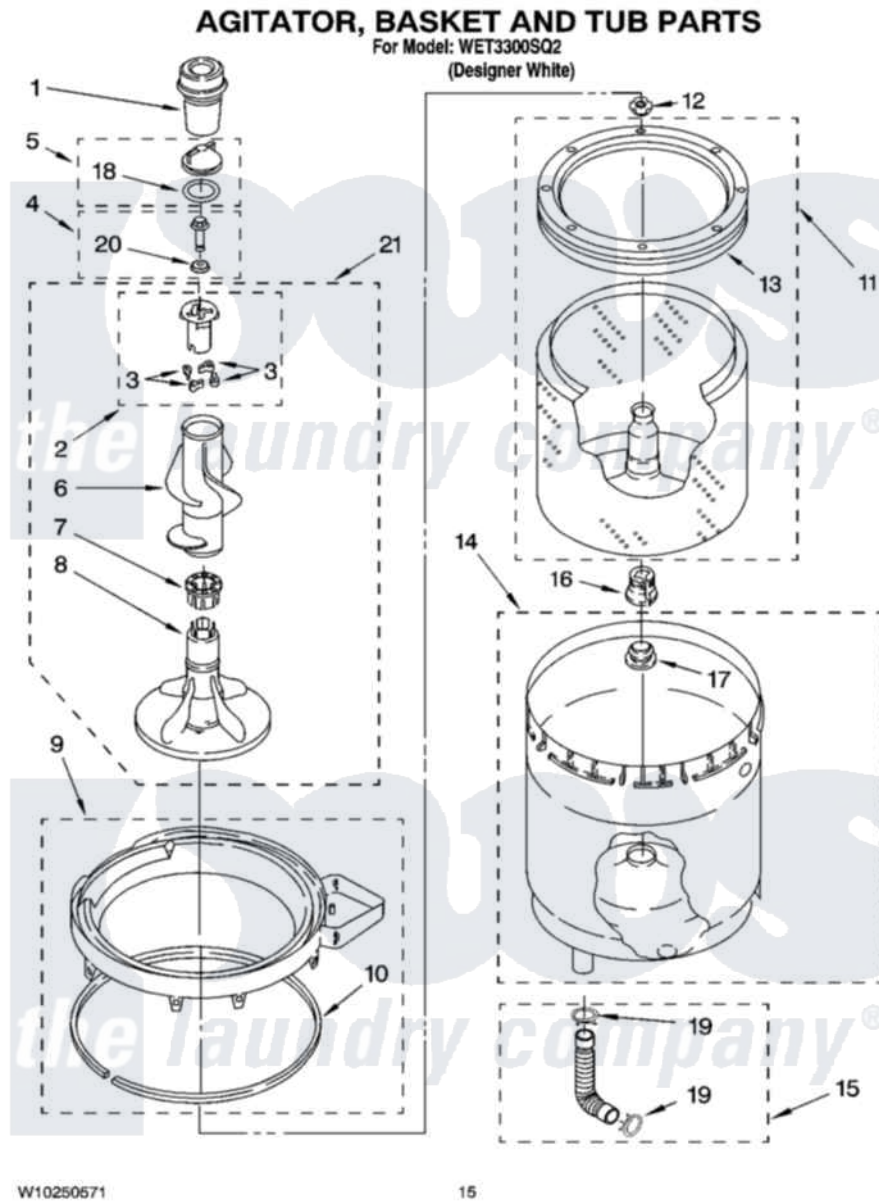


# Whirlpool WET3300SQ2 10 - AGITATOR, BASKET AND TUB PARTS



Whirlpool [Residential Whirlpool WET3300SQ2 Washer/Dryer Parts](#) Parts Diagram 10 - AGITATOR, BASKET AND TUB PARTS

[Click on the part number to view part](#)

| Item | Original Part Number    | Replaced By               | Status | Part Description                 |
|------|-------------------------|---------------------------|--------|----------------------------------|
| 1    | <a href="#">3350834</a> |                           |        | Dispenser,                       |
| 2    | 3947410                 | <a href="#">285751</a>    |        | Dog-Agitator                     |
| 3    | 3366877                 | <a href="#">80040</a>     |        | Dog-Agitator                     |
| 4    | <a href="#">358237</a>  |                           |        | Screw And Washer                 |
| 5    | 387094                  | <a href="#">285550</a>    |        | Cap                              |
| 6    | <a href="#">3349610</a> |                           |        | Mover, Agitator Clutch           |
| 7    | 3351014                 | <a href="#">285620</a>    |        | Washer                           |
| 8    | <a href="#">3349578</a> |                           |        | Agitator                         |
| 9    | 8528150                 | <a href="#">W10445870</a> |        | Ring-Tub                         |
| 10   | <a href="#">3976308</a> |                           |        | Gasket, Tub Ring                 |
| 11   | <a href="#">3352234</a> |                           |        | Basket And Balance Ring Assembly |
| 12   | <a href="#">21366</a>   |                           |        | Nut, Spanner                     |
| 13   | <a href="#">387240</a>  |                           |        | Ring, Balance                    |
| 14   | <a href="#">3349292</a> |                           |        | Tub                              |
| 15   | 3951449                 | <a href="#">285871</a>    |        | Hose                             |

|    |                           |                        |                         |
|----|---------------------------|------------------------|-------------------------|
| 16 | <a href="#">389140</a>    |                        | Tub Block, Basket Drive |
| 17 | <a href="#">383727</a>    |                        | Gasket, Centerpodt      |
| 18 | <a href="#">W10072840</a> |                        | Fabric Softener         |
| 19 | 3363366                   | <a href="#">616099</a> | Clamp                   |
| 20 | <a href="#">3949550</a>   |                        | Washer                  |
| 21 | <a href="#">3349743</a>   |                        | Agitator                |

