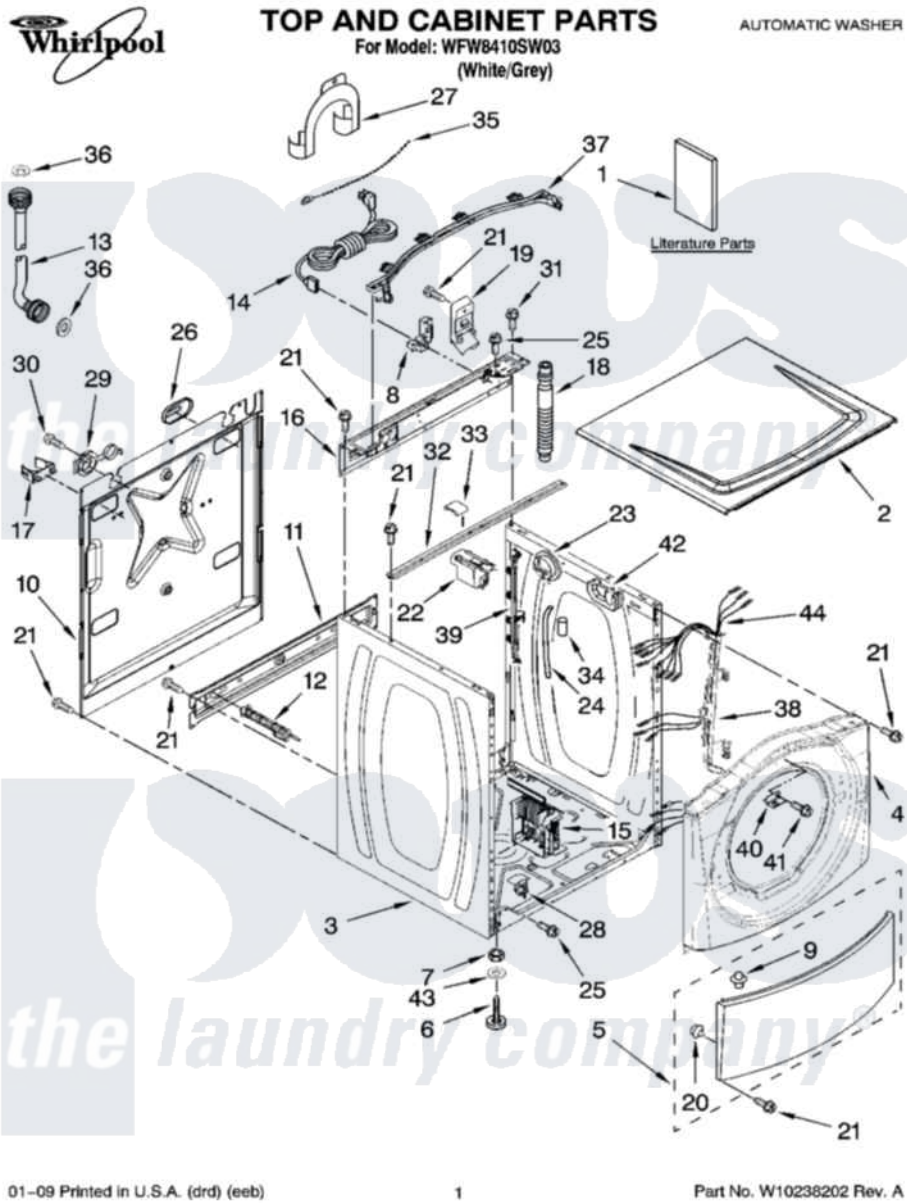


Whirlpool WFW8410SW03 01 - TOP AND CABINET PARTS



01-09 Printed in U.S.A. (drd) (eeb)

1

Part No. W10238202 Rev. A

Whirlpool Residential Whirlpool WFW8410SW03 Washer Parts Parts Diagram 01 - TOP AND CABINET PARTS
 Click on the part number to view part

Item	Original Part Number	Replaced By	Status	Part Description
1	W10118196		Not Available	Use & Care Guide
"	W10207732		Not Available	Tech Sheet
"	W10174240		Not Available	Energy Guide
"	W10063570		Not Available	Quick Start Guide
2	8540716	W10303994		Top
3	W10201831	W10410294		Cabinet
4	8540572	8540746		Panel
5	8540813	8540664		Toe Panel
6	W10121677	W10245373		Foot, Leveling
7	3359452			Nut, Lock
8	W10110676	8182635		Strain Relief
9	8518891			Rivet
10	8540580			Panel, Rear
11	W10189657			Brace, Transport
12	8540199	W10285622		Bolt
13	8571377	89503		Hose-Inlet

"	8571378	89503	Hose-Inlet
14	W10029820		Cord, Power
15	W10205342		Motor Control Unit
16	W10161694		Brace, Rear
17	8540093		Clamp, Tube Transportation
18	W10114608		Hose, Drain
19	8540607		Retainer, Hose Outlet
20	238614		Bumper And Isolation
21	W10015090	489442	Screw 3 2217757 Roller, Front
22	8540230	W10339736	Filter, Interference
23	W10163980		Switch, Pressure
24	8540294		Hose, Pressure Switch
25	8540479		Screw, Grounding
26	8540268		Cover, Transport
27	8540021	W10280024	U-Bend, Drain Hose
28	W10085220		Microswitch
29	8540728	8182699	Grommet, Cord Support
30	8540727	8182201	Screw, 3 X 8 mm
31	8540329		Screw, 8-18 X 7/16
32	8540720		Brace, Top
33	8283273		Damper, Brace
34	2161302	2162499	Sleeve, Suction Line
35	3347868	W10339879	Tie, Cable
36	16123		Washer Inlet-Hose Miscellaneous Parts Must be Ordered Separately.
37	W10168548		Harness Channel, Top Rear
38	W10168546		Harness Channel, Side Front
39	W10168547		Harness Channel, Side Rear
40	8540669		Bracket, Console Retainer
41	8533954	98006631	Screw
42	8540644		Bracket-Suspension Spring
43	487576		Washer, Nylon
44	W10208139		Harness, Wiring

