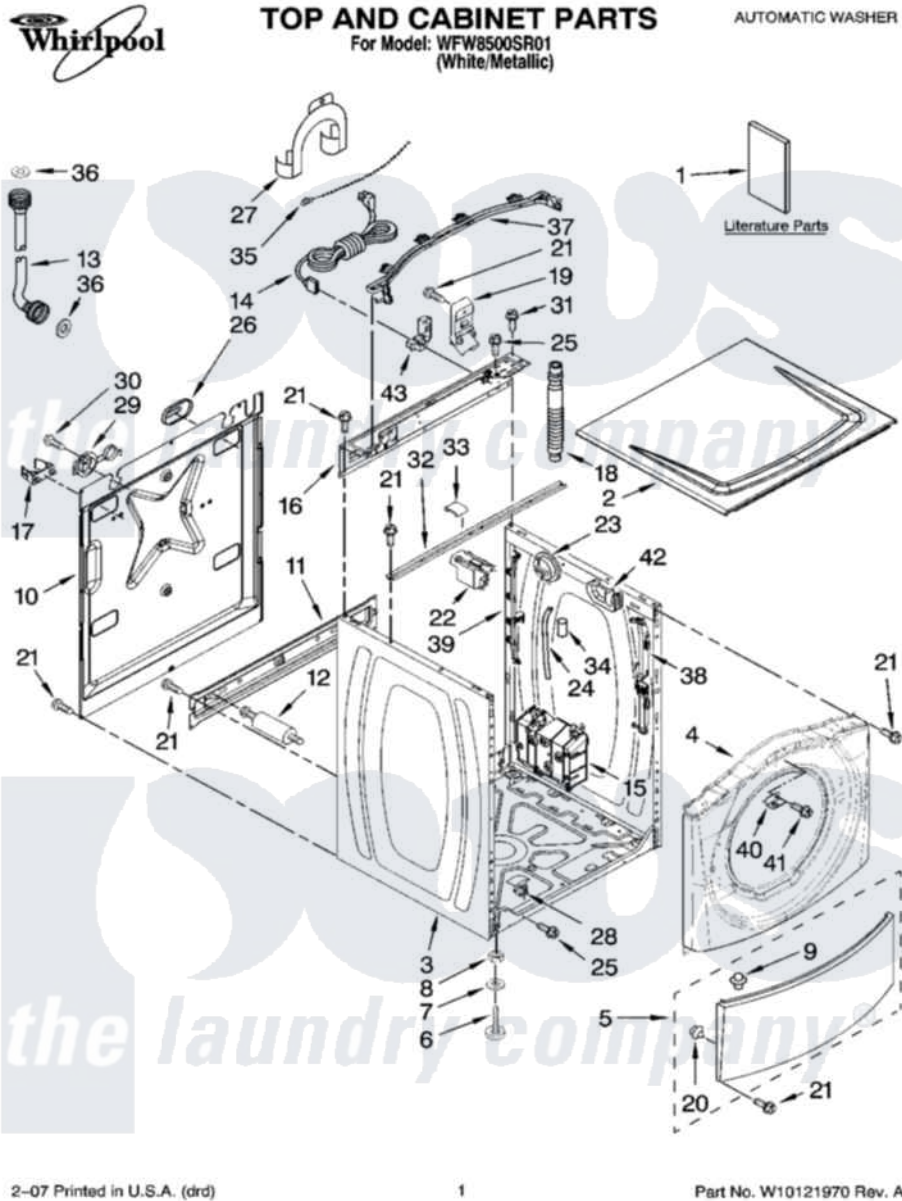


Whirlpool WFW8500SR01 01 - TOP AND CABINET PARTS



2-07 Printed in U.S.A. (drd)

1

Part No. W10121970 Rev. A

Whirlpool [Residential Whirlpool WFW8500SR01 Washer Parts](#) Parts Diagram 01 - TOP AND CABINET PARTS
 Click on the part number to view part

Item	Original Part Number	Replaced By	Status	Part Description
1	W10117768		Not Available	Use & Care Guide
"	W10071760			Tech Sheet
"	8540262		Not Available	Energy Guide
"	8540316		Not Available	Quick Start Guide
2	8540716	W10303994		Top
3	8540548	W10410294		Cabinet
4	8540572	8540746		Panel
5	8540813	8540664		Toe Panel
6	389102	W10001130		Foot, Leveling
7	487576			Washer, Nylon
8	3359452			Nut, Lock
9	8518891			Rivet
10	8540580			Panel, Rear
11	8540581			Brace, Transport
12	8540199	W10285622		Bolt
13	8571377	89503		Hose-Inlet

"	8571378	89503	Hose-Inlet
14	8182120	8182649	Cord, Power
15	8540540	W10163007	Motor Control Unit
16	8540974		Brace, Rear
17	8540093		Clamp, Tube Transportation
18	8540011	W10114608	Hose, Drain
19	8540607		Retainer, Hose Outlet
20	8540977	238614	Bumper And Isolation
21	W10015090	489442	Screw 3 2217757 Roller, Front
22	8540230	W10339736	Filter, Interference
23	8540224	W10163980	Switch, Pressure
24	8540294		Hose, Pressure Switch
25	8540479		Screw, Grounding
26	8540268		Cover, Transport
27	8540021	W10280024	U-Bend, Drain Hose
28	W10085220		Microswitch
29	8540728	8182699	Grommet, Cord Support
30	8540727	8182201	Screw, 3 X 8 mm
31	8540329		Screw, 8-18 X 7/16
32	8540720		Brace, Top
33	8283273		Damper, Brace
34	2161302	2162499	Sleeve, Suction Line
35	3347868	W10339879	Tie, Cable
36	16123		Washer Inlet-Hose Miscellaneous Parts Must be Ordered Separately.
37	8540290	W10168548	Harness Channel, Top Rear
38	8540288	W10168546	Harness Channel, Side Front
39	8540289	W10168547	Harness Channel, Side Rear
40	8540669		Bracket, Console Retainer
41	8533954	98006631	Screw
42	8540644		Bracket-Suspension Spring
43	W10110676	8182635	Strain Relief

