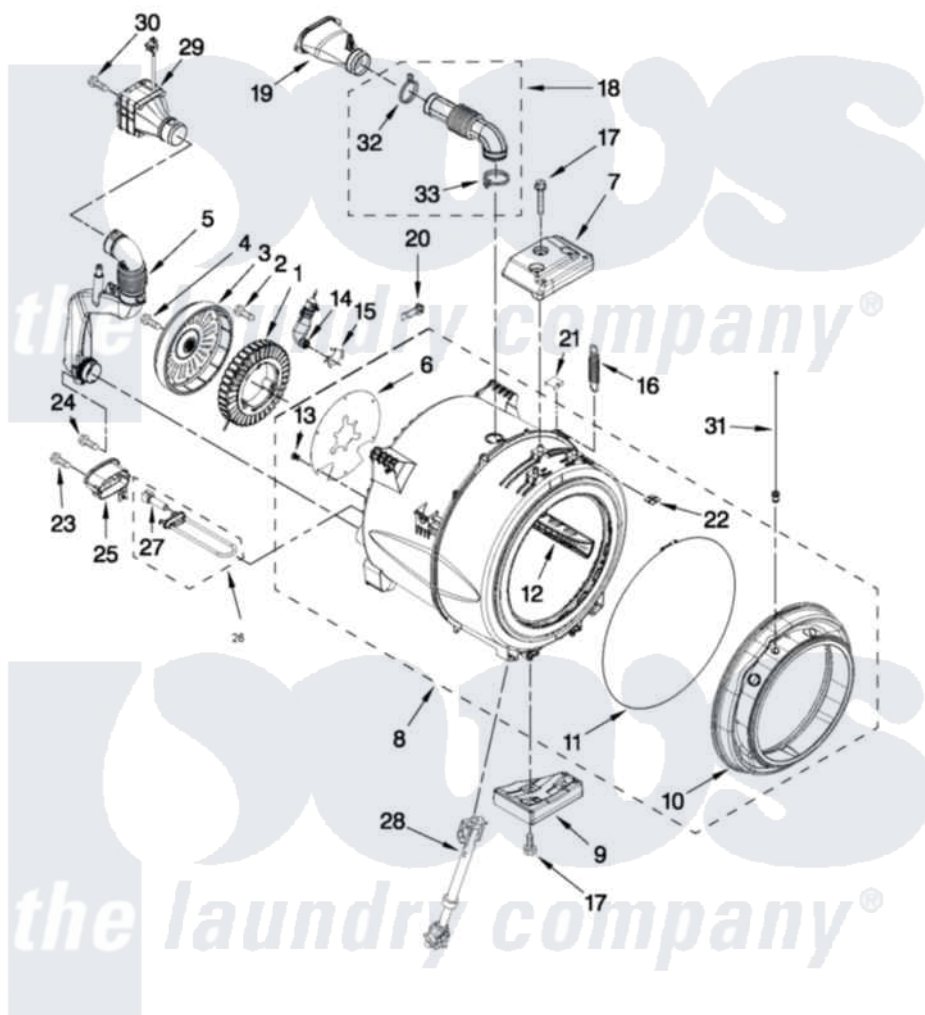


Whirlpool WFW95HEXW2 05 - TUB AND BASKET PARTS

TUB AND BASKET PARTS

For Models: WFW96HEXW2, WFW96HEXR2, WFW96HEXL2
(White) (Red) (Silver)



FOR ORDERING INFORMATION REFER TO PARTS PRICE LIST

W10414746

7

Whirlpool [Residential Whirlpool WFW95HEXW2 Washer Parts](#) Parts Diagram 05 - TUB AND BASKET PARTS
Click on the part number to view part

| Item | Original Part Number | Replaced By | Status | Part Description |
|------|---------------------------|---------------------------|--------|----------------------------|
| 1 | W10213978 | W10365754 | | Stator |
| 2 | W10253476 | | | Screw, Stator Mounting |
| 3 | W10213980 | W10365755 | | Rotor |
| 4 | W10253477 | | | Screw, Rotor Mounting |
| 5 | W10261582 | | | Pipe, Ventilation Assembly |
| 6 | W10267637 | | | Shield, Motor |
| 7 | W10253014 | | | Counterweight, Top |
| 8 | W10355147 | W10409998 | | Tub-Outer |
| 9 | W10237535 | | | Counterweight, Bottom |
| 10 | W10237499 | | | Bellow |
| 11 | W10237502 | | | Retainer, Bellow To Tub |
| 12 | W10292810 | | | Baffle, Tub |
| 13 | W10273613 | | | Retainer, Push In |
| 14 | W10260500 | | | Airtrap Assembly |
| 15 | 371499 | | | Clamp, Hose |
| 16 | W10249487 | W10365757 | | Spring |

| | | | |
|----|---------------------------|-------------------------|------------------------------|
| 17 | W10261496 | | Screw, Counterweight |
| 18 | W10352811 | | Vent-Hose Coupling Assembly |
| 19 | W10352818 | | Vent Tube And Cover |
| 20 | W10316388 | | Clip, Harness Diverter |
| 21 | 8540092 | | Clamp, Tub |
| 22 | 8540072 | 8182512 | Nut, Push-In |
| 23 | 9740848 | | Screw, Mixing Valve Mounting |
| 24 | W10306501 | | Screw, M4.1-1.8 X 16.5C |
| 25 | W10318155 | | Shield, Heater |
| 26 | W10253993 | 8182666 | Element, Heating |
| 27 | 8181705 | | Ntc |
| 28 | W10261492 | | Shock Absorber |
| 29 | W10261587 | | Fan, Ventilation Assembly |
| 30 | W10305097 | | Screw, M4.1-1.8 X 57 |
| 31 | W10272847 | | Light, Led Assembly |
| 32 | W10273034 | | Clamp, Vent Hose |
| 33 | W10353599 | | Clamp, Hose |

