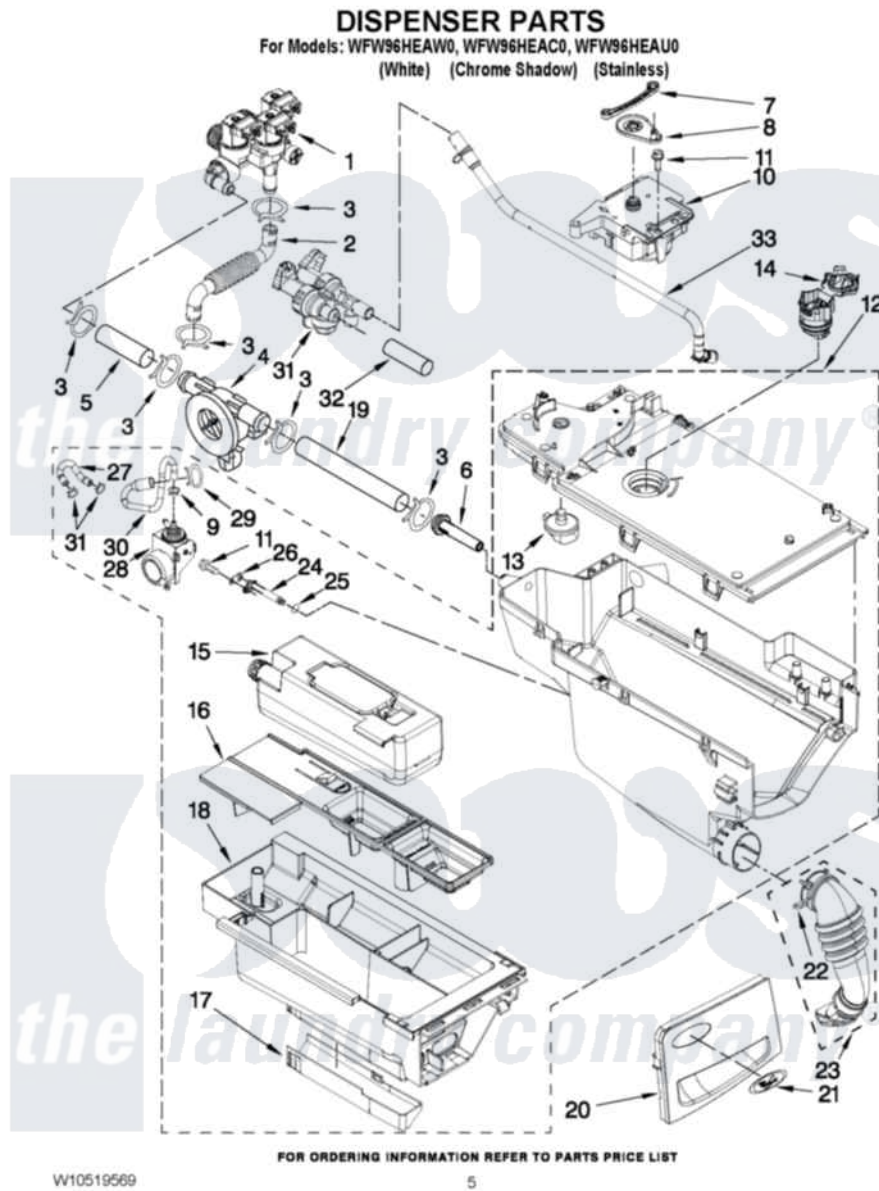


Whirlpool WFW96HEAW0 04 - DISPENSER PARTS



Whirlpool [Residential Whirlpool WFW96HEAW0 Washer Parts](#) Parts Diagram 04 - DISPENSER PARTS
Click on the part number to view part

| Item | Original Part Number | Replaced By | Status | Part Description |
|------|---------------------------|---------------------------|--------|--------------------------------------|
| 1 | W10247306 | | | Valve, Inlet |
| 2 | W10239949 | | | Hose, Inlet Valve To Active Vent |
| 3 | W10096852 | 596669 | | Clamp, Manifold |
| 4 | 8181696 | W10110225 | | Flowmeter |
| 5 | W10239955 | | | Hose, Inlet Valve To Flowmeter |
| 6 | 8183181 | | | Nozzle, Inlet |
| 7 | 8183183 | | | Lever, Water Distribution |
| 8 | W10003190 | 8183184 | | Cam, Actuator |
| 9 | W10292700 | | | Clamp, Hose |
| 10 | W10163975 | W10352973 | | Actuator |
| 11 | 8540282 | 8181661 | | Screw, Actuator |
| 12 | W10368769 | | | Housing, Minibulk Dispenser Assembly |
| 13 | W10003110 | 8181712 | | Nozzle, Distribution |
| 14 | W10306690 | | | Sensor-Magnetic, Angular |

| | | | |
|----|---------------------------|----------------------------|--------------------------------|
| 15 | W10250743 | W10250743A | Minibulk Dispenser Cartridge |
| 16 | W10256661 | | Siphon, Bleach/Softener |
| 17 | W10003140 | 8183179 | Cover, Detergent Drawer |
| 18 | W10250723 | | Drawer, Detergent |
| 19 | W10239956 | | Hose, Flowmeter |
| 20 | W10446403 | | Handle, Drawer |
| " | W10446405 | | Handle, Drawer |
| " | W10502248 | | Handle, Drawer |
| 21 | W10387117 | | Badge |
| 22 | W10239910 | | Clamp, Hose |
| 23 | W10239966 | | Hose, Dispenser To Bellow |
| 24 | W10250730 | | Tube, Siphon- Dock-Minibulk |
| 25 | W10250731 | | O-Ring |
| 26 | W10376678 | | Washer, Siphon Tube |
| 27 | W10268381 | | Hose, Tube To Pump |
| 28 | W10250734 | | Pump, Metering |
| 29 | W10096851 | 596669 | Clamp, Manifold |
| 30 | W10268382 | | Hose, Pump To Dispenser |
| 31 | W10239942 | | Valve, Diverter |
| 32 | W10239935 | | Hose, Inlet Valve To Flowmeter |
| 33 | W10239908 | | Hose, Spray Assembly |

